

- 1)PROG + 5PICTURE
- 2)PROG + 61AV
- 3)VDL + 7XICAM
- 4)VDL + 8)STANDBY OFF

S009 SERVICE MODE

DEGAUSSING COIL

Photo coupler

Error amplifier

Photo DET.

IR. PreAMP.

IC002 EEROM

EEPROM

Power regulator

VOLTAGE

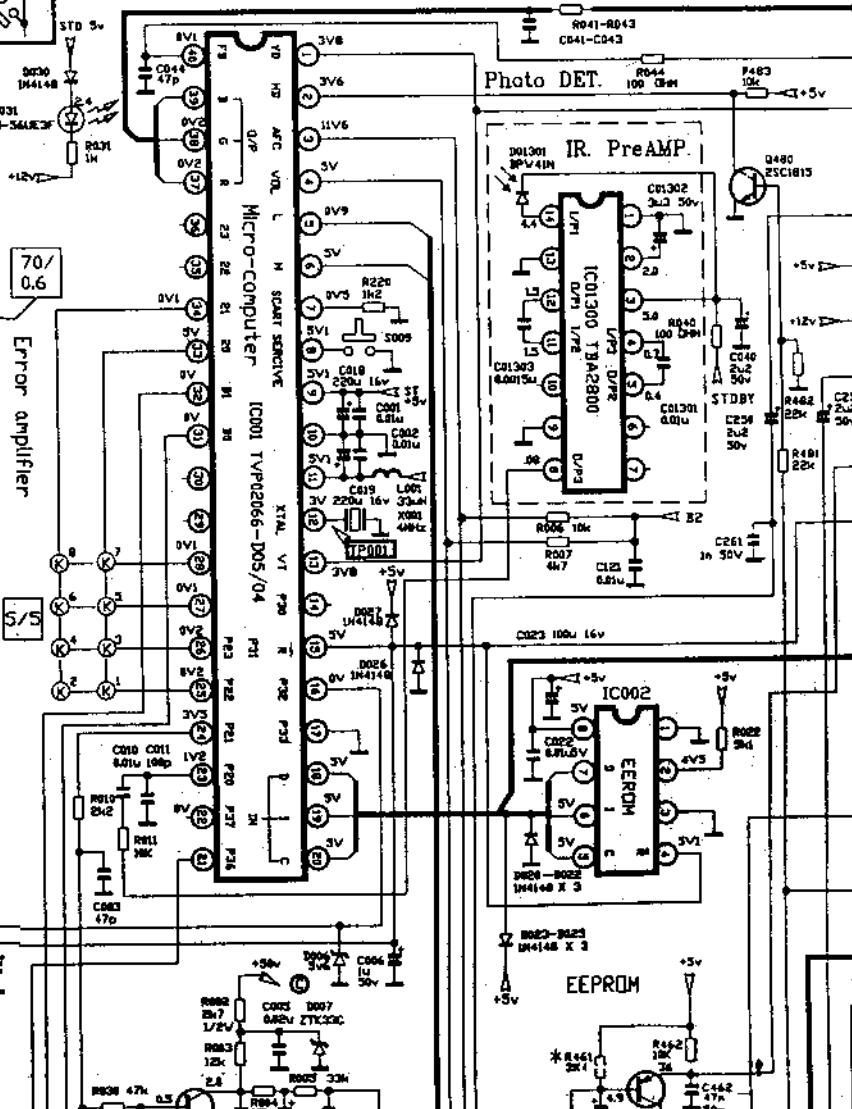
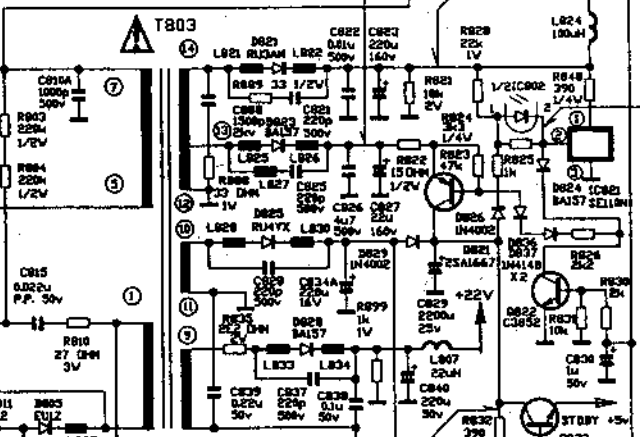
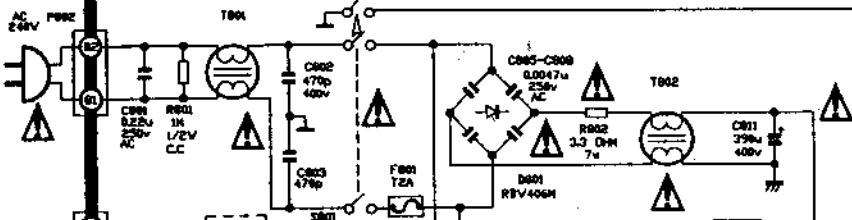
PVR ON

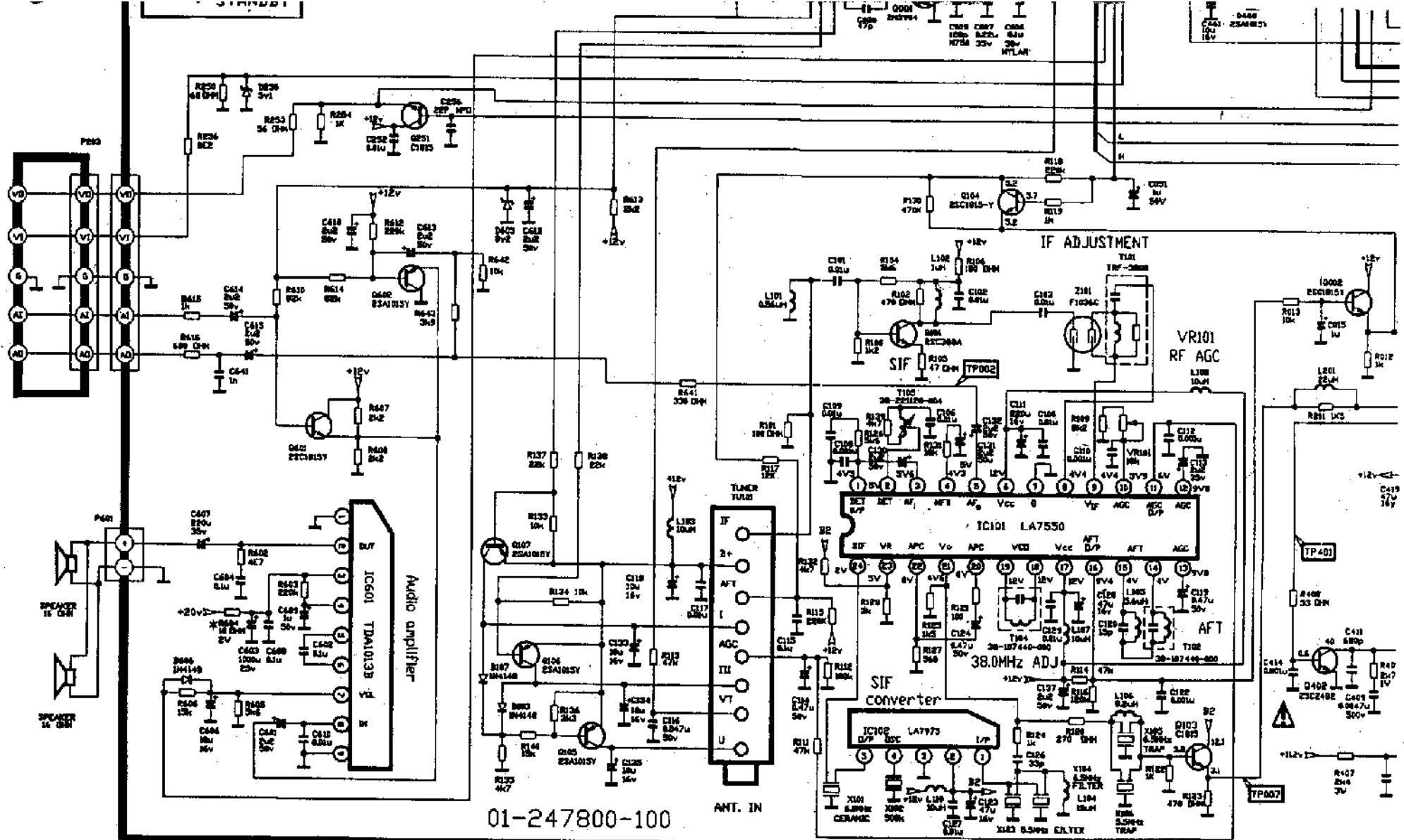
Regulator with reset

MICRO-COMPUTER IC001 TP92066-DO5/04

IC0300 TBA2800

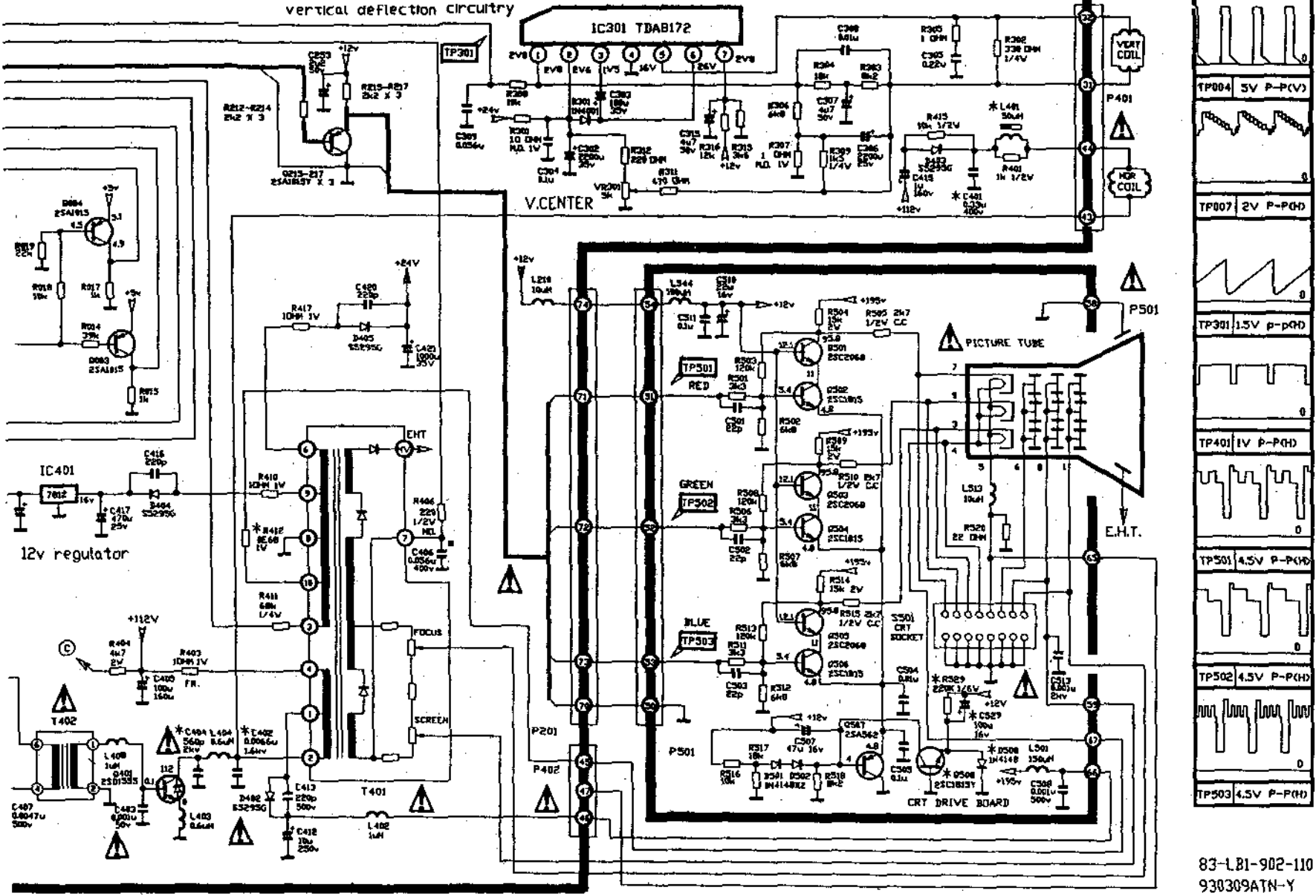
IC002 EEROM

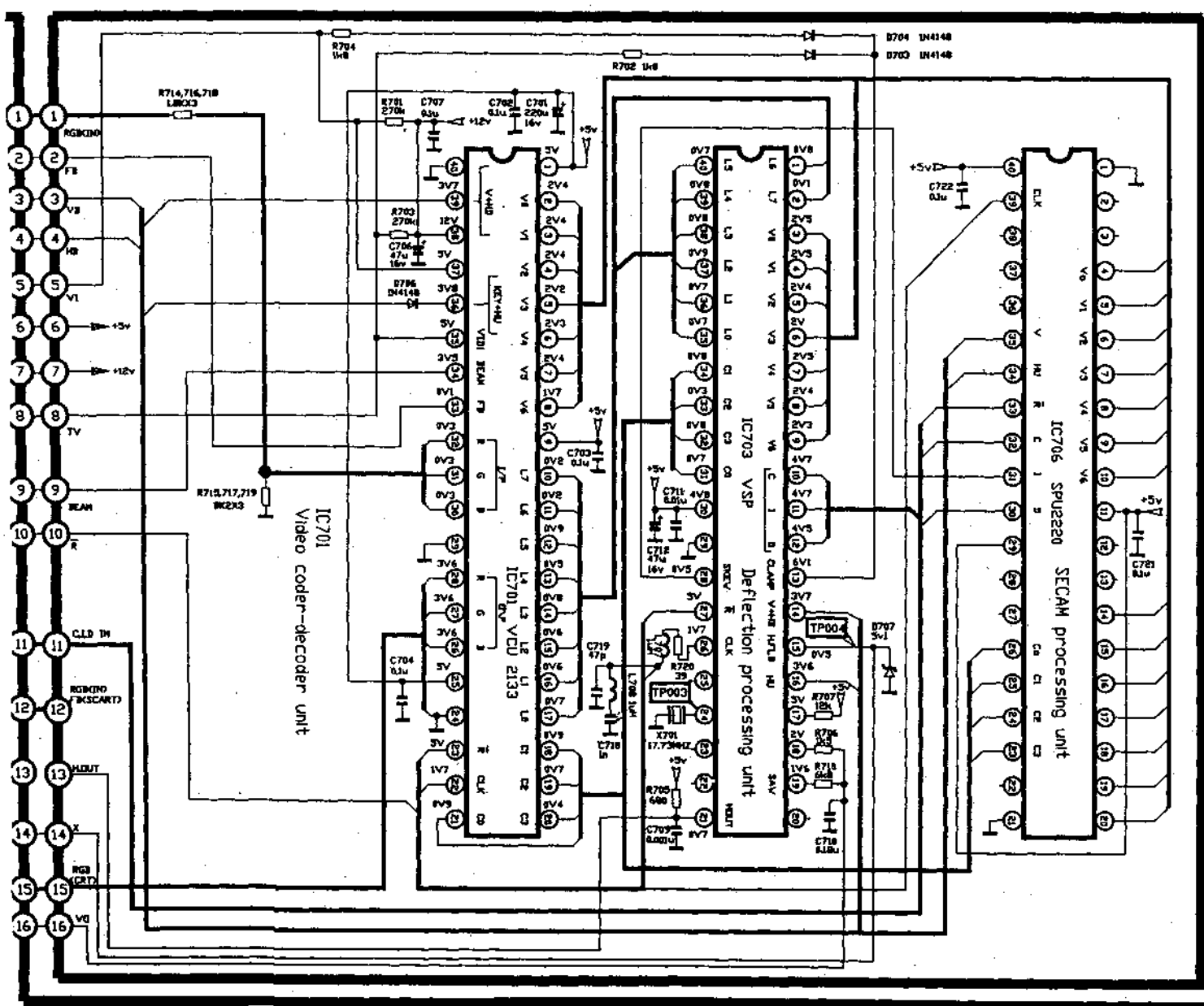




01-247800-100

vertical deflection circuitry





ITEM	TV-2002	TV-1402
*L401	39uH	50uH
*C401	0.3u	0.3u
*C402	8200p	6800p
*C404	390p	560p
*R412	0.66	0.66
*R461	2K4	2K7
*R804	10	18
*Q508	25C1815Y	—
*D508	1N4148	—
*R529	220K	—
*C529	100u 16V	—

<http://esxema.ru/>

