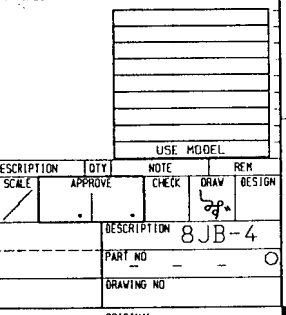
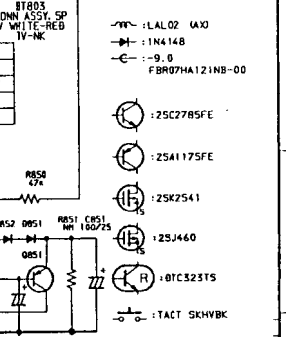
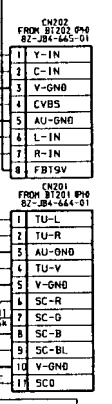
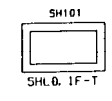
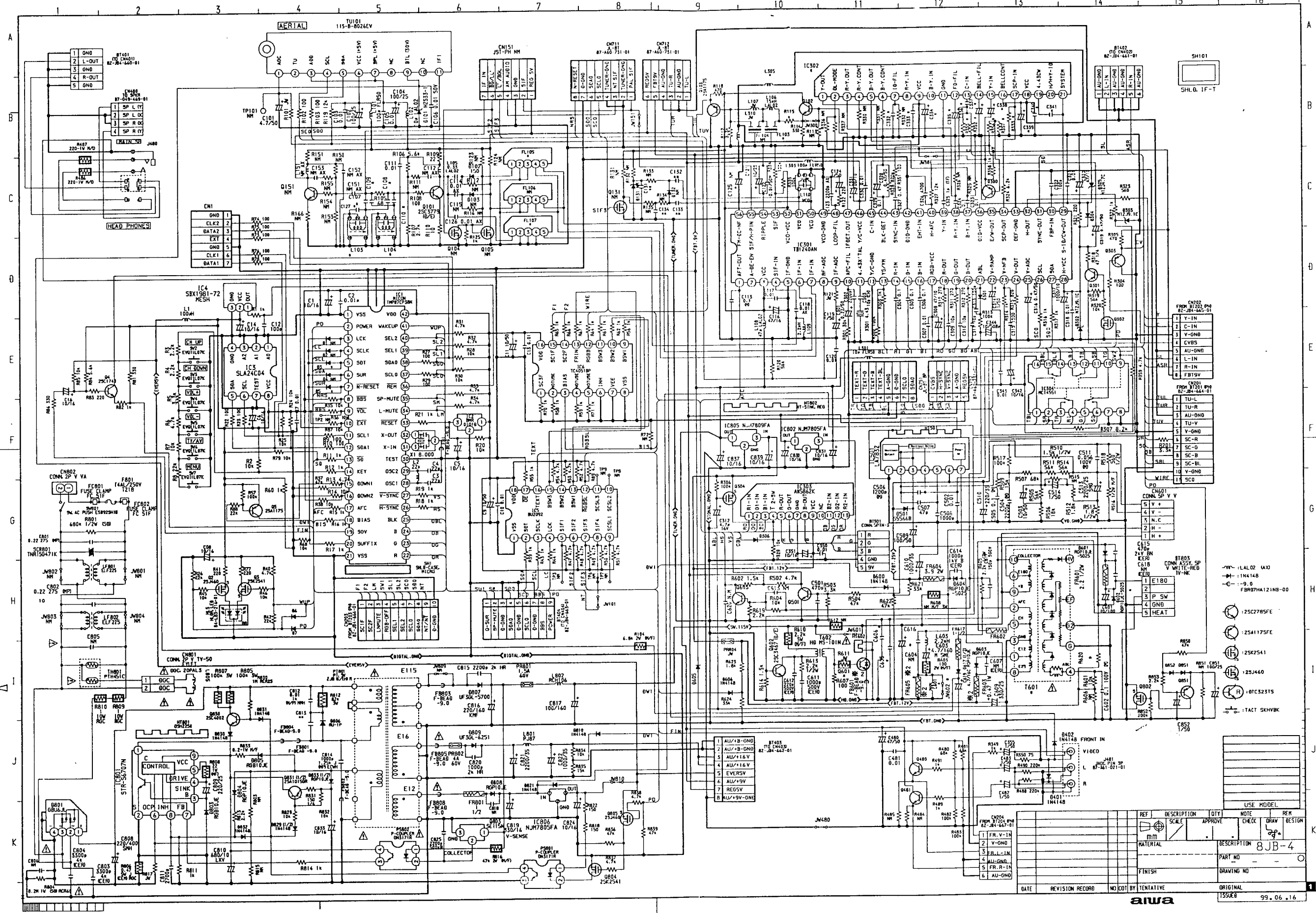


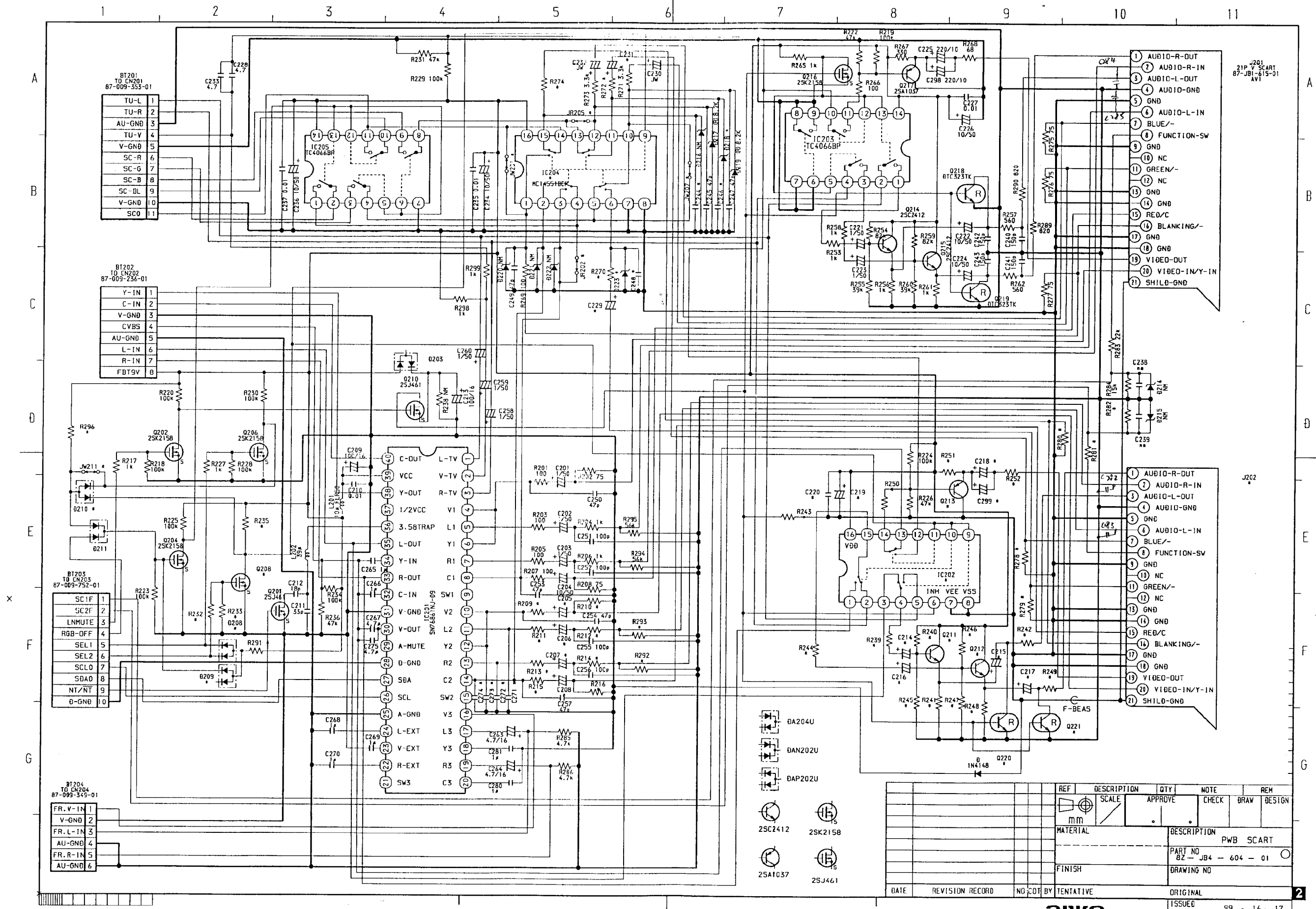
# AIWA TV-SE141 SCHEMATIC DIAGRAM\_1 (MAIN)



REF	DESCRIPTION	QTY	NOTE	REMARKS
1	FR. V-IN			
2	V-GND			
3	FR. L-IN			
4	ALL-GND			
5	FR. R-IN			
6	AU-GND			

DATE	REVISION RECORD	NO. (COT) BY	TENTATIVE	ORIGINAL

SCHEMATIC DIAGRAM - 2 (SCART)

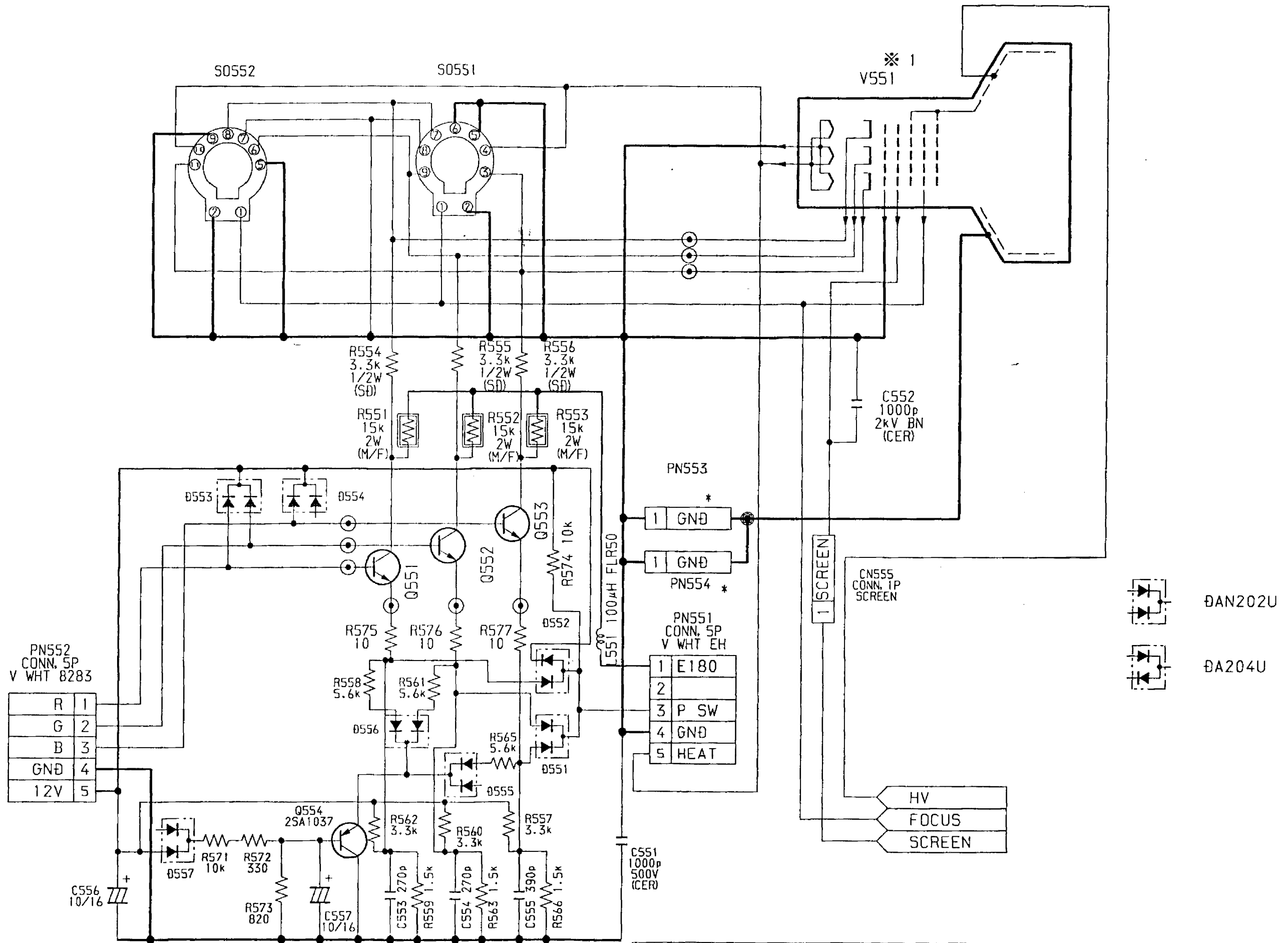


- DA204U
- DAN202U
- DAP202U
- 25C2412
- 25S158
- 25A1037
- 25J461

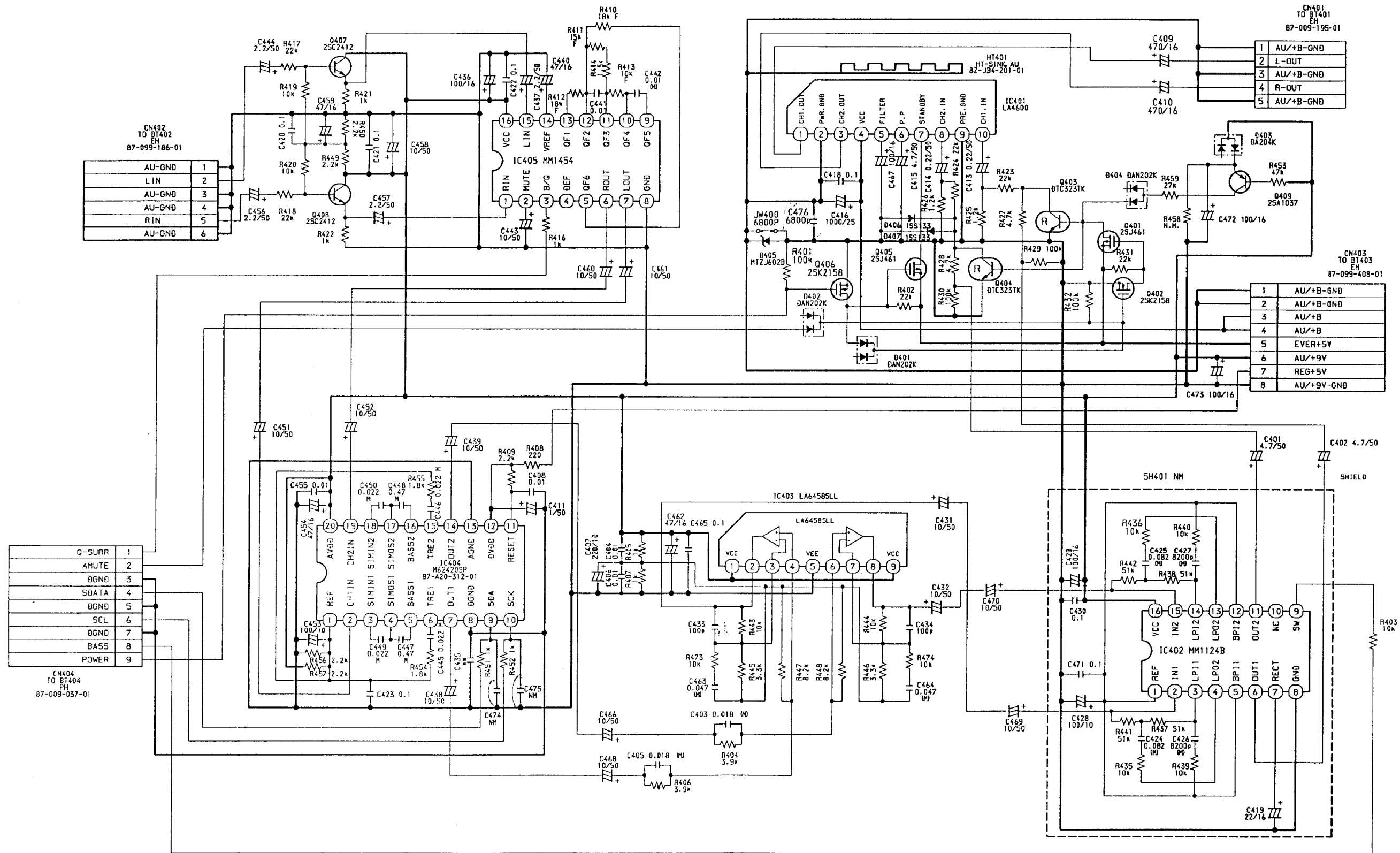
REF	DESCRIPTION	QTY	NOTE	REM
	SCALE	APPROVE	CHECK	DRAW DESIGN
	MATERIAL	DESCRIPTION PWB SCART		
	FINISH	PART NO 82-JB4-604-01		
	DATE	REVISION RECORD	NO. 201	BY TENTATIVE ORIGINAL
				ISSUED 99.16.17

aiwa

SCHEMATIC DIAGRAM - 3 (NK)



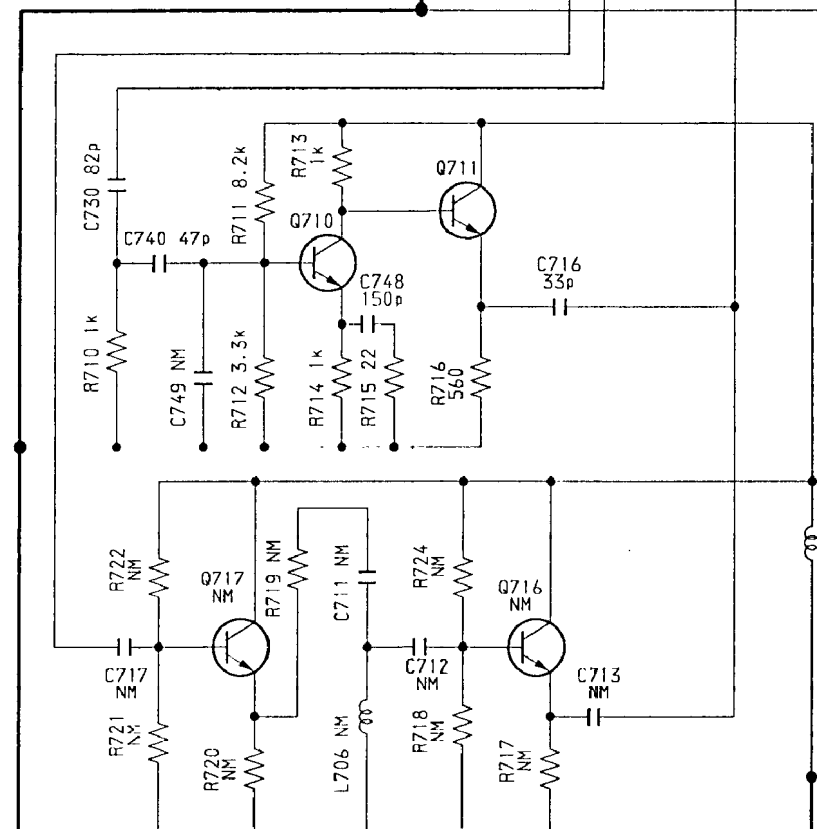
SCHEMATIC DIAGRAM - 4 (AUDIO)



SCHEMATIC DIAGRAM - 5 (NICAM)

CN701  
JL-R  
87-A60-722-01

PAI SIF IN	1
TUNER-GND	2
NT SIF IN	3
TUNER-GND	4
SCLO	5
SDAO	6
θ-GND	7
N-RESET	8

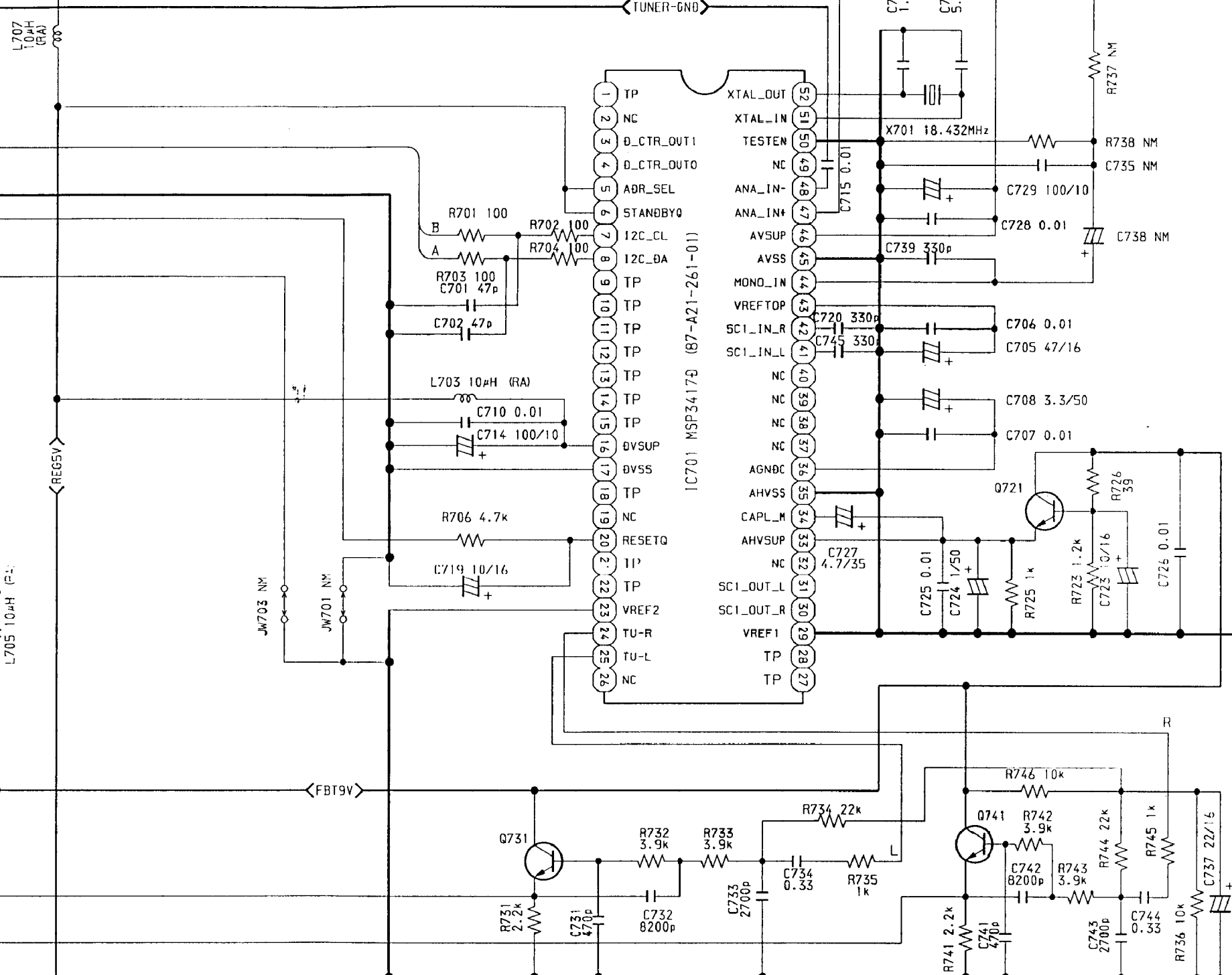


TU-L	1
AU-GND	2
TU-R	3
AU-GND	4
FBT9V	5
REG5V	6

CN702  
JL-R  
87-A60-720-01



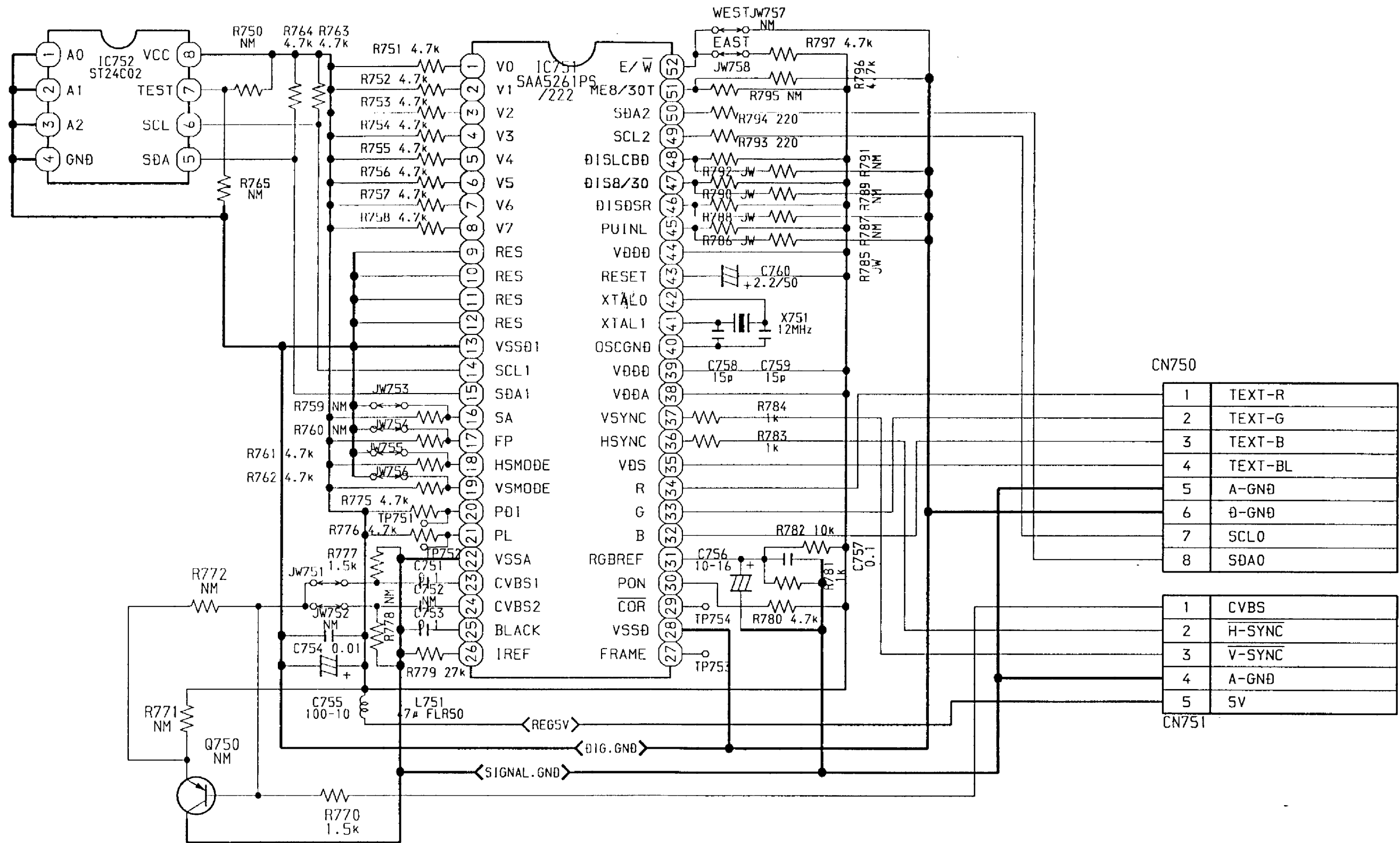
C-TR. 25C2412



REF	DESCRIPTION	QTY	NOTE	REM
	SCALE	APPROVE	CHECK	DRAW DESIGN
	m/m			伊藤 伊藤
	MATERIAL	DESCRIPTION		
		PART NO		
	FINISH	DRAWING NO		
DATE	REVISION RECORD	NO	COT	BY
				TENTATIVE
				ORIGINAL

A  
B  
C  
D  
E  
3

SCHEMATIC DIAGRAM - 6 (TEXT)



1	TEXT-R
2	TEXT-G
3	TEXT-B
4	TEXT-BL
5	A-GND
6	Ø-GND
7	SCL0
8	SDA0

1	CVBS
2	H-SYNC
3	V-SYNC
4	A-GND
5	5V