

# aiwa



## TV-SE211

---

COLOR TELEVISION

---

• TYPE: K, EH

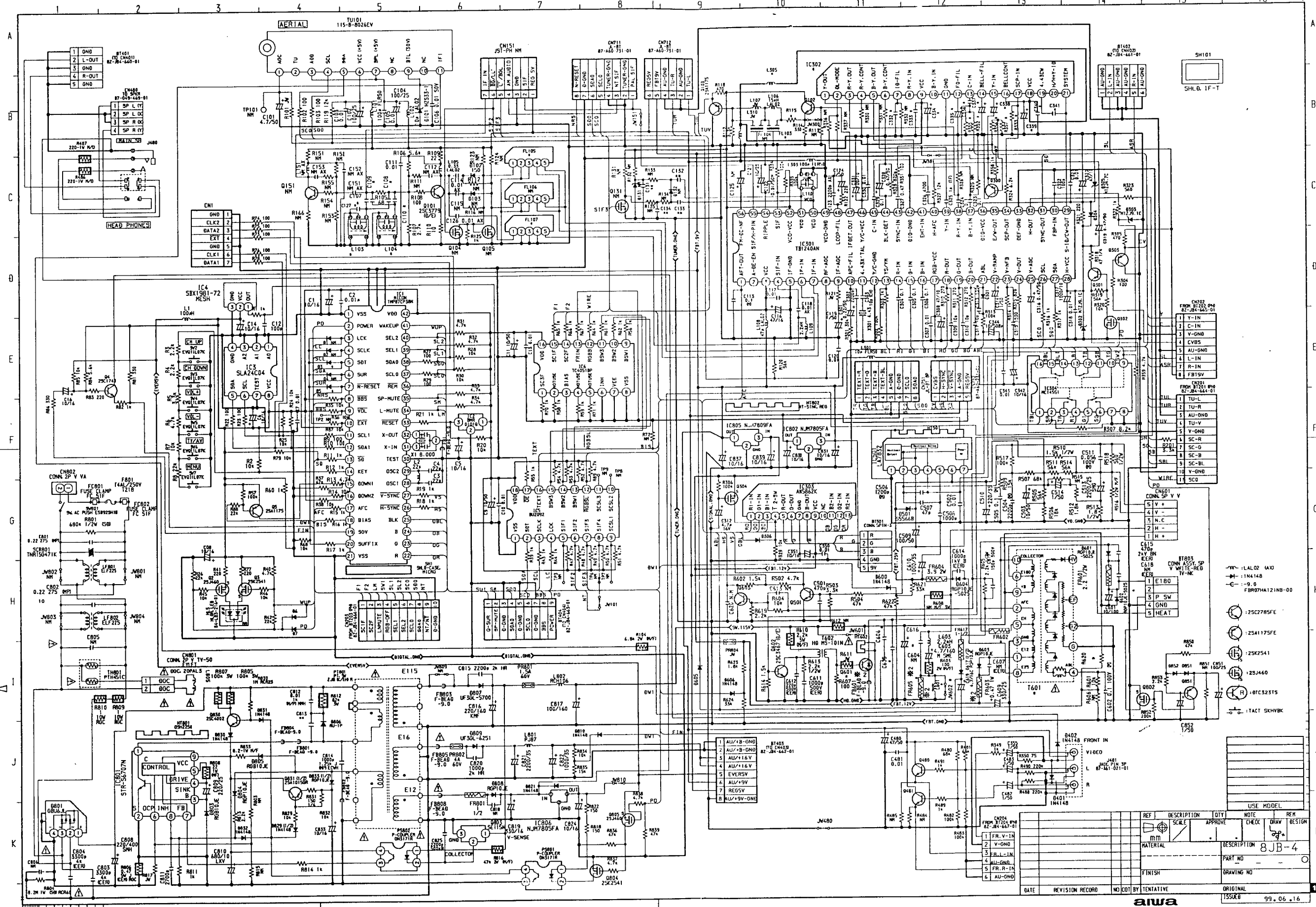
**SIMPLE MANUAL**

• Replace this Service Manual with "Revision Publishing" when it is issued.

S/M Code No. 09-997-417-7T1

MANUAL  
SERVICE

SCHEMATIC DIAGRAM - 1 (MAIN)



- LAL02 AX0
- IN148
- -9.0
- FB07HA121NB-00
- 25K285FE
- 25A1175FE
- 25K2541
- 25J460
- 07C3231S
- TACT SK4V8K

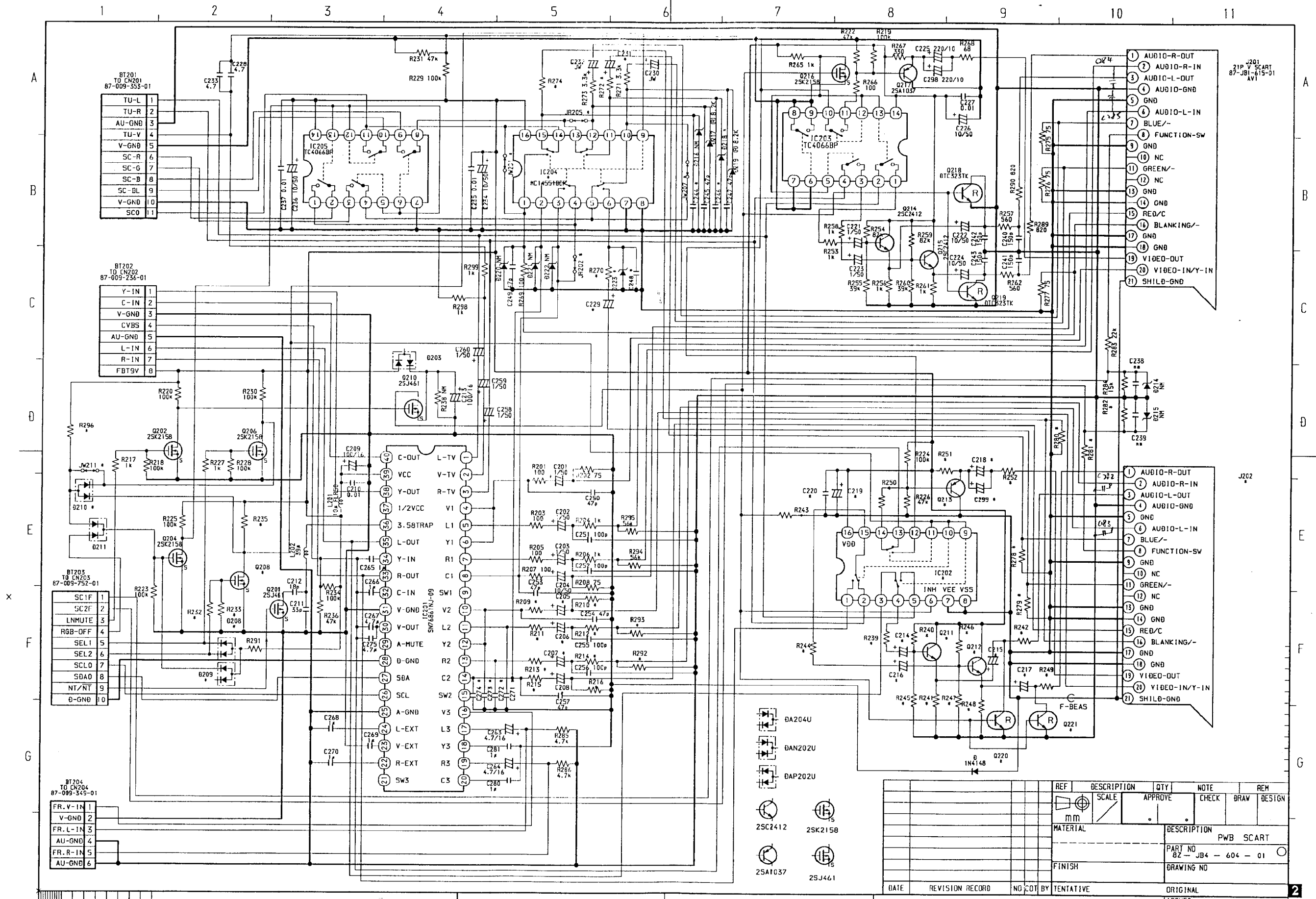
REF	DESCRIPTION	QTY	NOTE	REM
1	FR. V-IN			
2	V-GND			
3	FR. L-IN			
4	AU-GND			
5	FR. R-IN			
6	AU-GND			

DATE	REVISION	RECORD	NO	BY	TENTATIVE	ORIGINAL	ISSUE
							99.06.16

awa

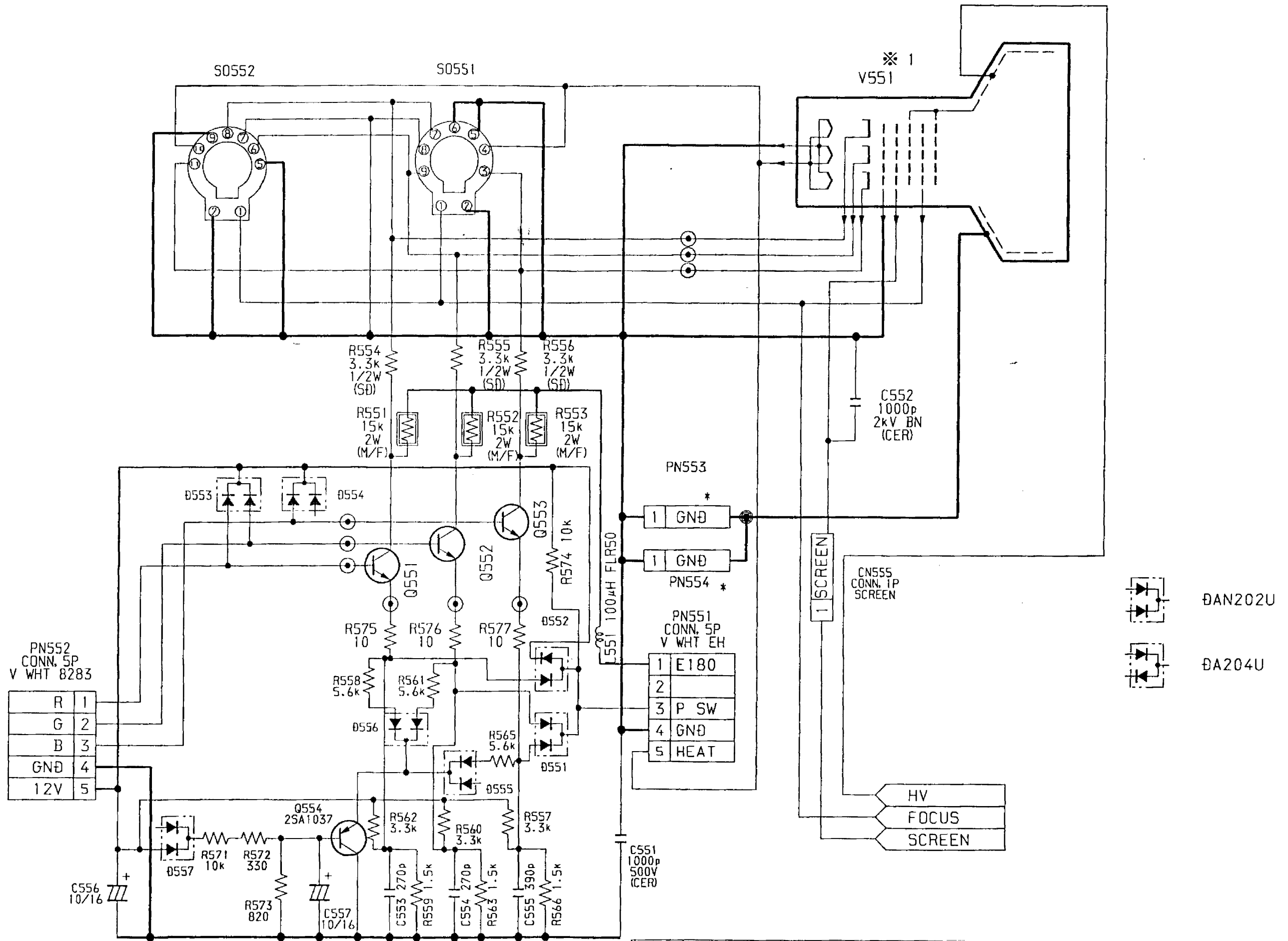
SCHEMATIC DIAGRAM - 2 (SCART)



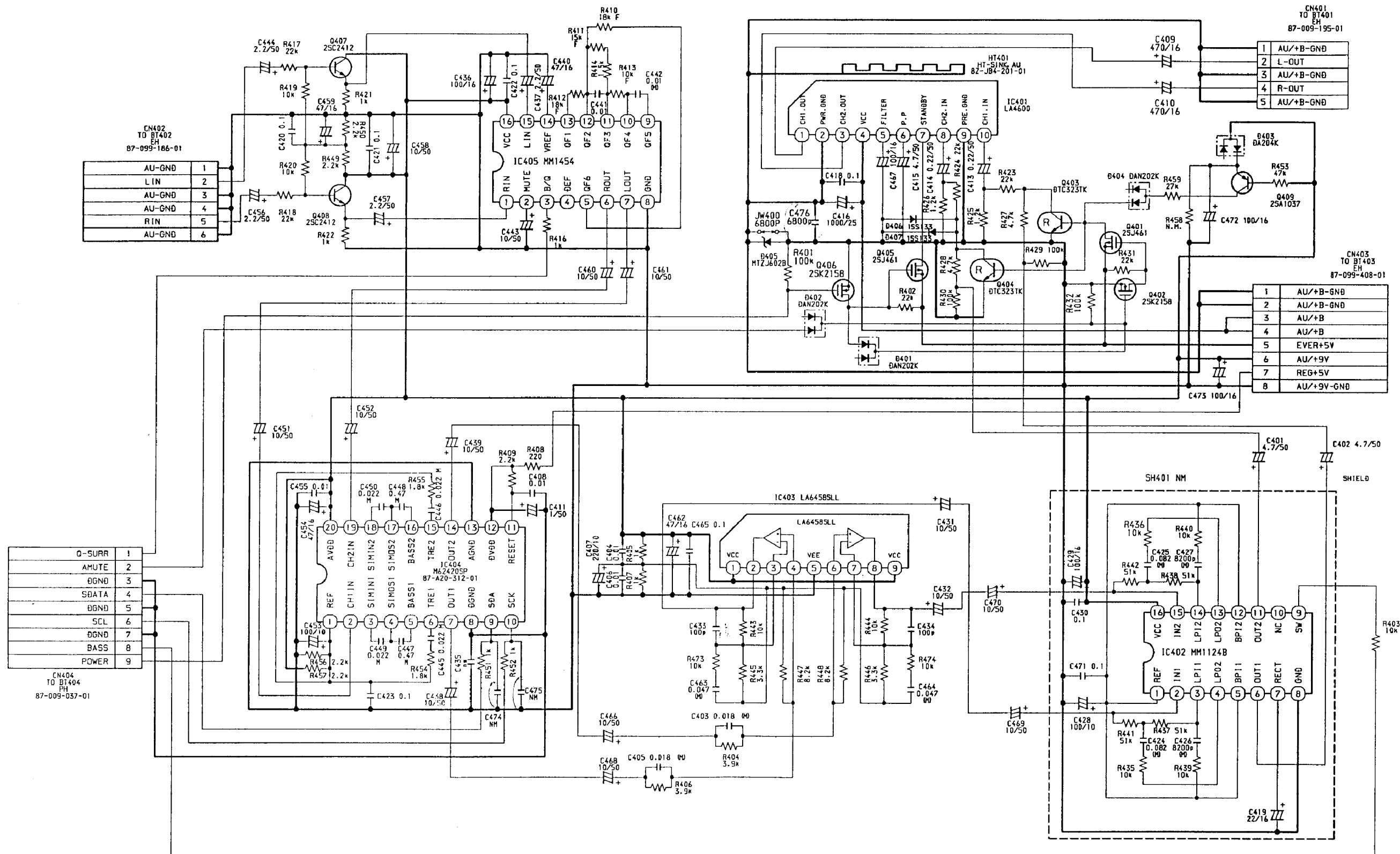
aiwa

REF	DESCRIPTION	QTY	NOTE	REM
SCALE	APPROVE	CHECK	DRAW	DESIGN
MATERIAL	DESCRIPTION PWB SCART			
FINISH	PART NO 8Z-JB4-604-01			
DATE				DRAWING NO
REVISION RECORD				ORIGINAL
NO. COT BY TENTATIVE				ISSUED 99.16.17

SCHEMATIC DIAGRAM - 3 (NK)



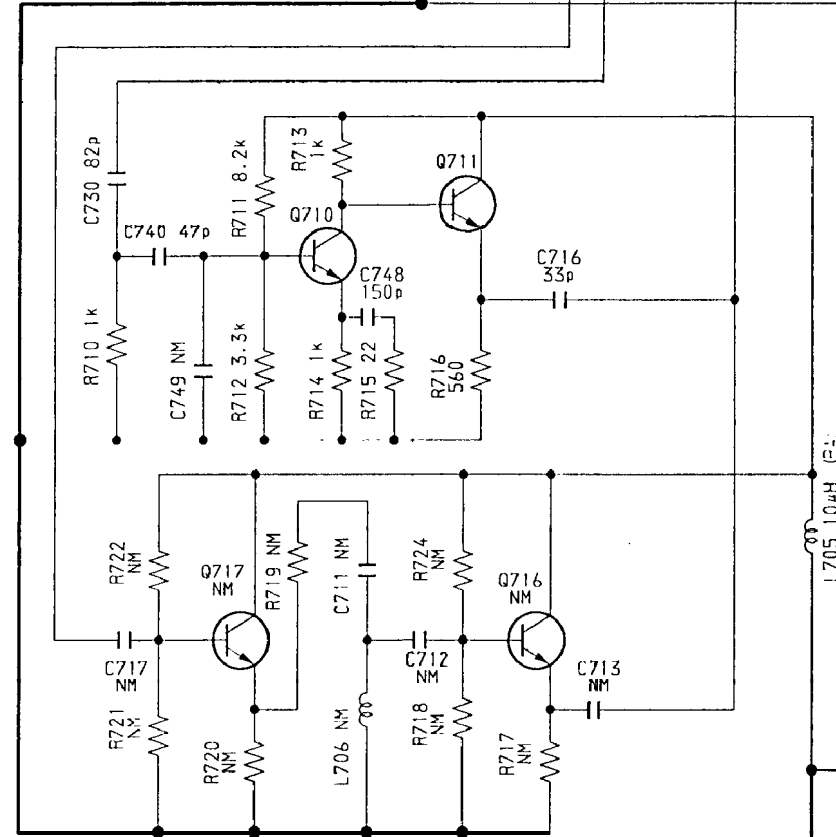
SCHEMATIC DIAGRAM - 4 (AUDIO)



SCHEMATIC DIAGRAM - 5 (NICAM)

CN701  
JL-R  
87-A60-722-01

PAI SIF IN	1
TUNER-GND	2
NT SIF IN	3
TUNER-GND	4
SCLO	5
SDAO	6
θ-GND	7
N-RESET	8

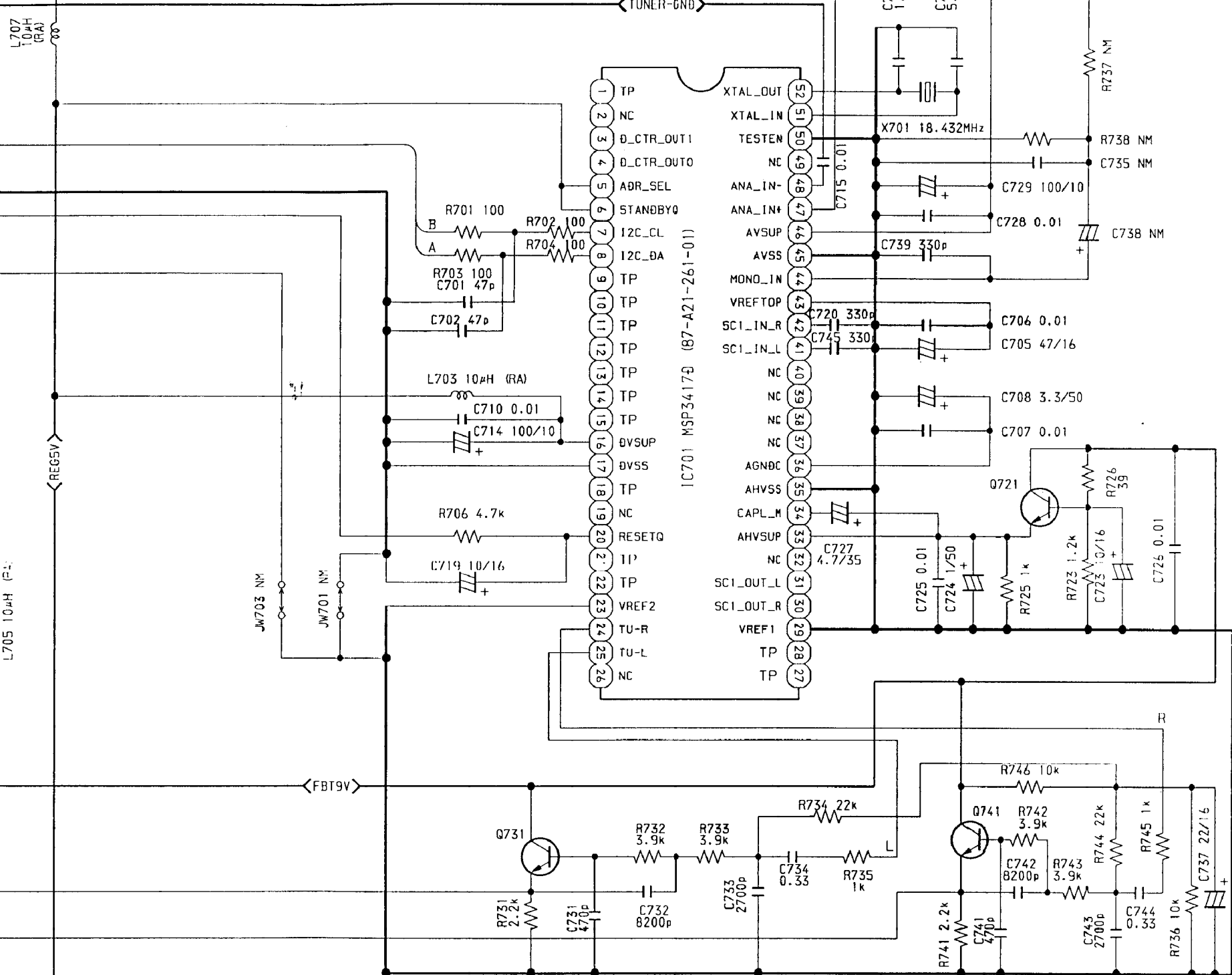


TU-L	1
AU-GND	2
TU-R	3
AU-GND	4
FBT9V	5
REG5V	6

CN702  
JL-R  
87-A60-720-01



C-TR. 25C2412



REF	DESCRIPTION	QTY	NOTE	REM
	SCALE		APPROVE	CHECK
	MATERIAL			DRAW
	FINISH			DESIGN
				DESCRIPTION
				PART NO
				DRAWING NO
DATE	REVISION RECORD	NO	COT	BY
				TENTATIVE
				ORIGINAL

A  
B  
C  
D  
E  
3

SCHEMATIC DIAGRAM - 6 (TEXT)

