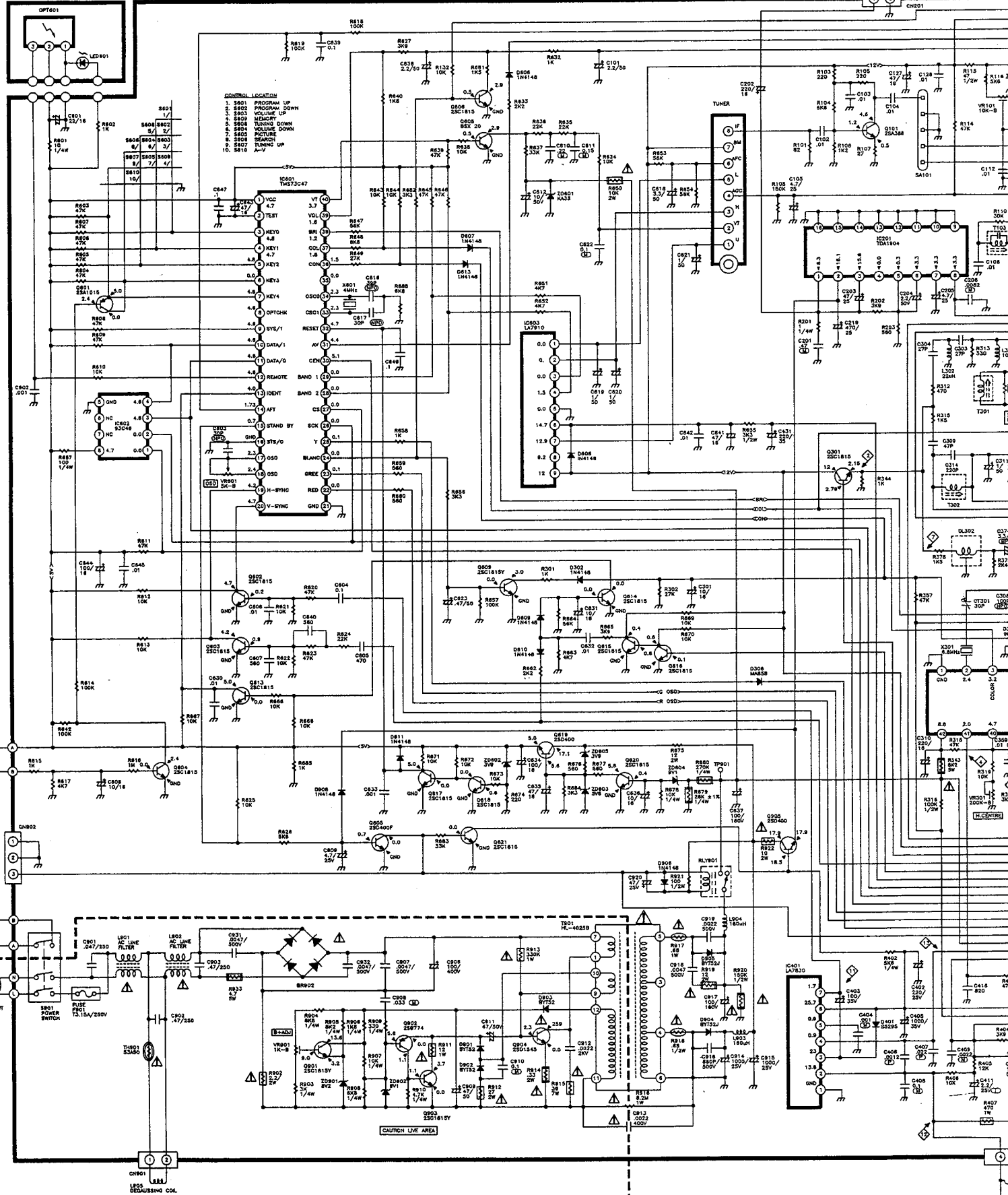
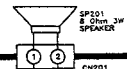


# SCHEMATIC DIAGRAM FOR PAL SECAM B/G D/K SYSTEM WITH UNITEXT

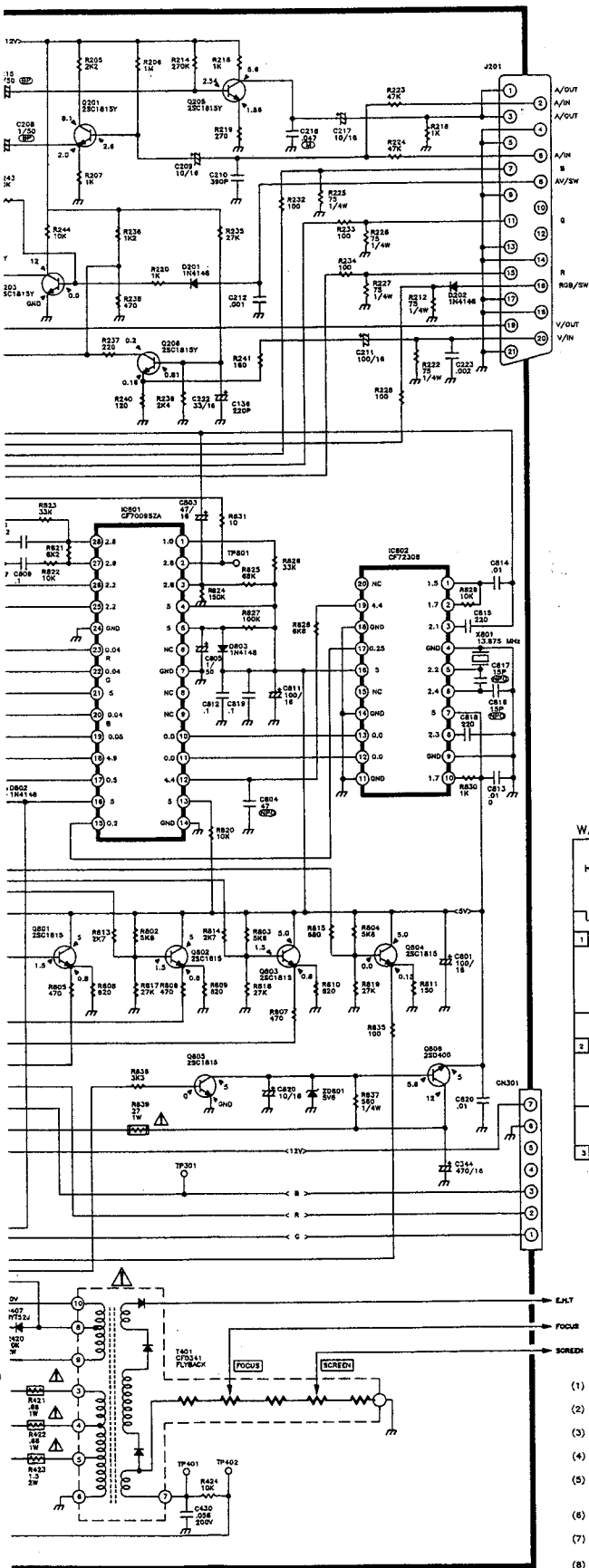
RECEIVE BOARD MAIN BOARD



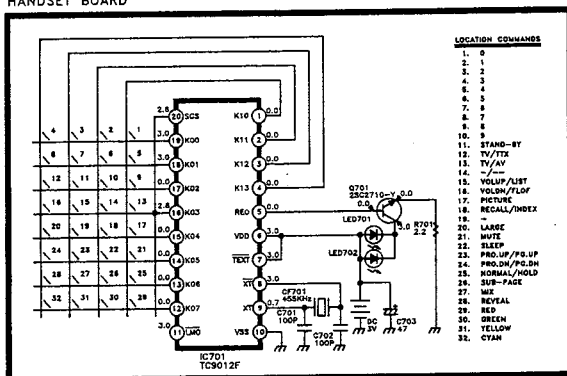
DRAWING No. : 9320(BT)

REV. No. :

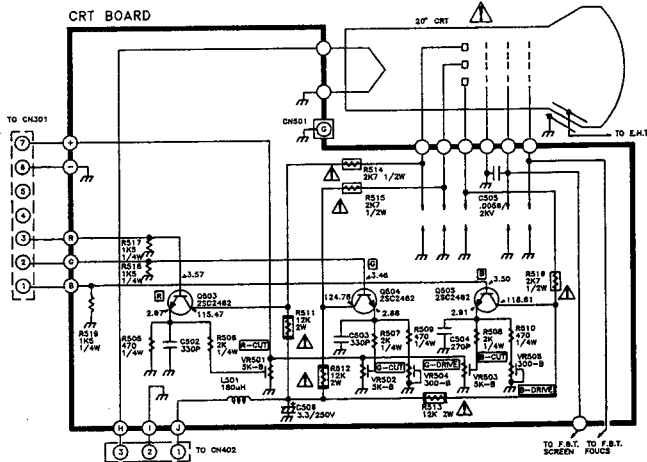




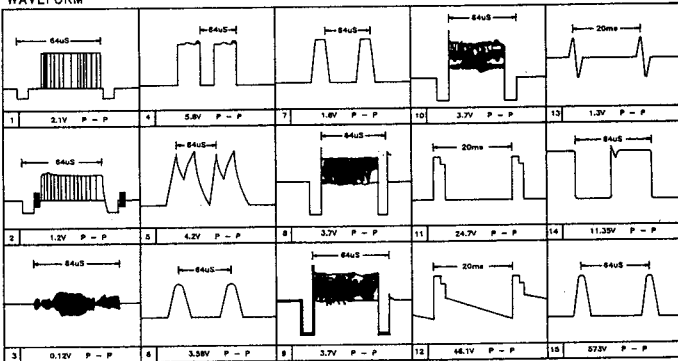
HANDBET BOARD



CRT BOARD



WAVEFORM



CIRCUIT SYMBOLS	
RESISTOR	CAPACITOR
NONFLAMMABLE	ELECTROLYTIC
FUSIBLE	BIPOLE ELECTROLYTIC
CEMENT	TANTALUM
METAL OXIDE	METALLIZED POLYESTER
THERMISTOR	POLYESTER FILM
CARBON FILM	MYLAR

- NOTE:
- (1) ALL CAPACITORS ARE IN μF UNLESS OTHERWISE NOTED. ALL CAPACITORS ARE 50VW UNLESS OTHERWISE NOTED.
  - (2) CAPACITOR NOT SPECIFICALLY DESIGNATED ARE CERAMIC CAPACITORS.
  - (3) ALL RESISTORS ARE IN OHM 1/16 WATT UNLESS OTHERWISE NOTED.
  - (4) RESISTOR NOT SPECIFICALLY DESIGNATED ARE CARBON FILM RESISTORS.
  - (5) DC VOLTAGE ARE MEASURED FROM POINTS INDICATED TO THE CIRCUIT GROUND WITH A DIGITAL MULTIMETER TEST.
  - (6) WAVEFORMS ARE TAKEN WITH SETTING CONTROLS TO A NORMAL CONDITIONS ( COLOR PHILIPS PATTEN ).
  - (7) THIS CIRCUIT DIAGRAM IS SUBJECT TO CHANGE WITHOUT PRIOR NOTICE.
  - (8) SAFETY CRITICAL DEVICE.

**KONG WAH VIDEO ENGINEERING LTD.**

TITLE: SCHEMATIC DIAGRAM

MODEL: CT-200DT (V1) SYSTEM: PAL SECAM B/C D/K

DRAW NO.: 9320(BT)-01 PAGE 1 OF 1

DRAWN BY: APPROVED: (PROJECT LEADER)

DATE: JUN 29, 93 REV NO: