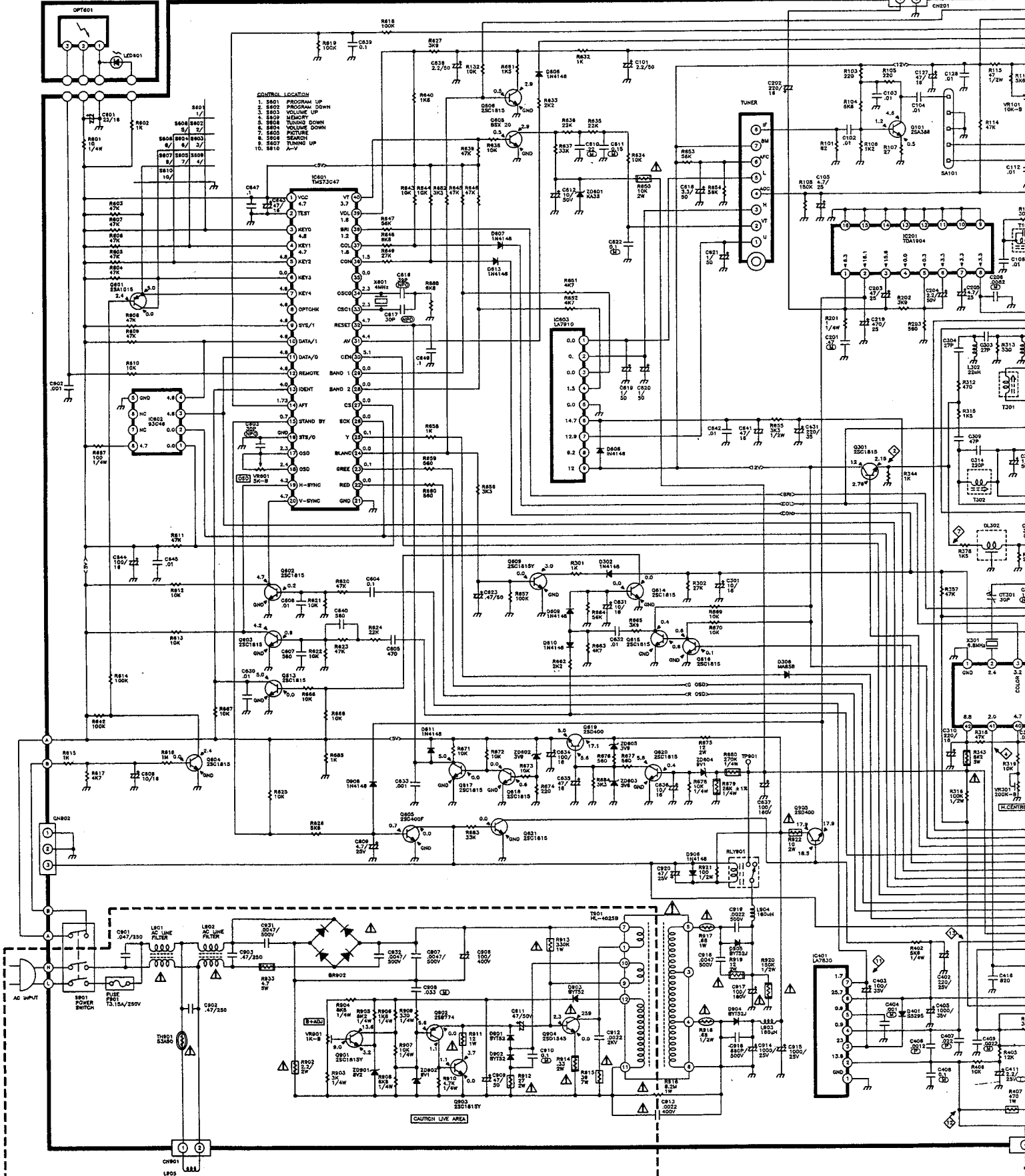
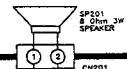
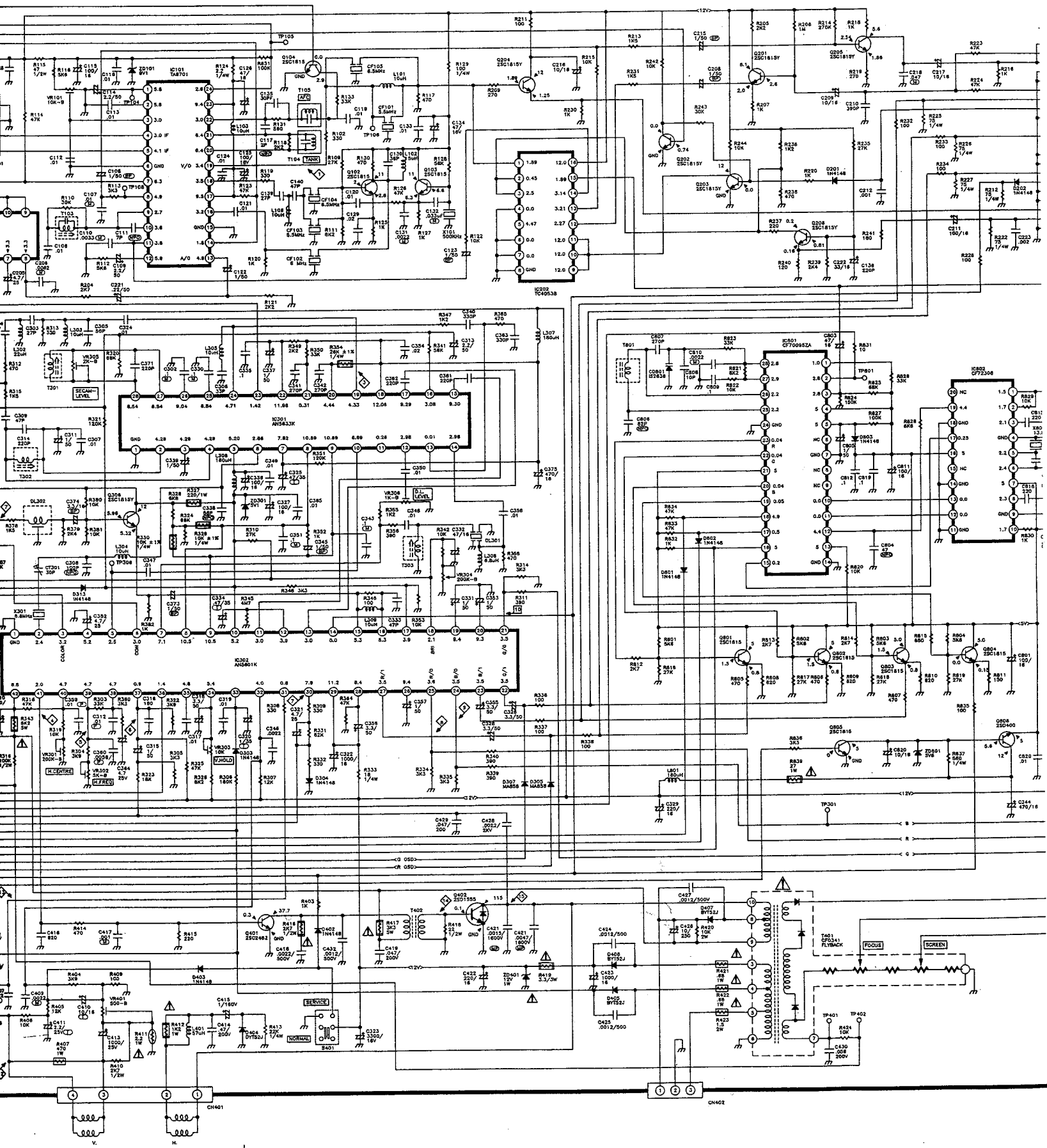


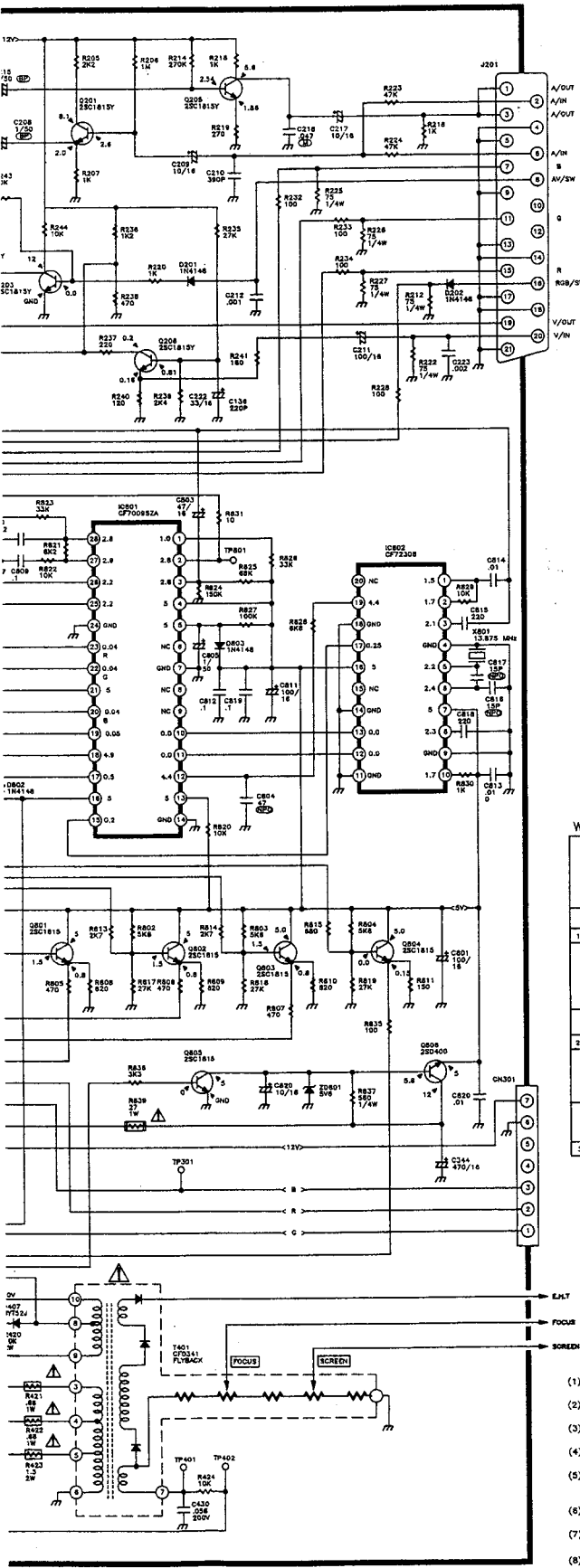
# SCHEMATIC DIAGRAM FOR PAL SECAM B/G D/K SYSTEM WITH UNITEXT

RECEIVE BOARD      MAIN BOARD

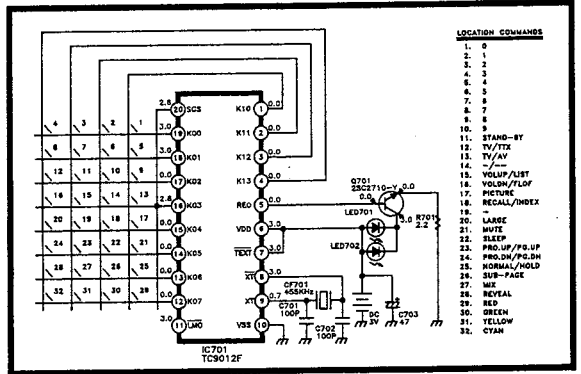


DRAWING No. : 9320(BT)  
REV. No. :

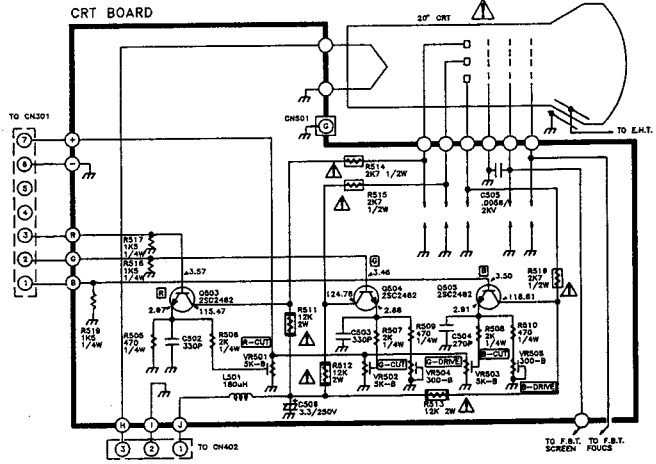




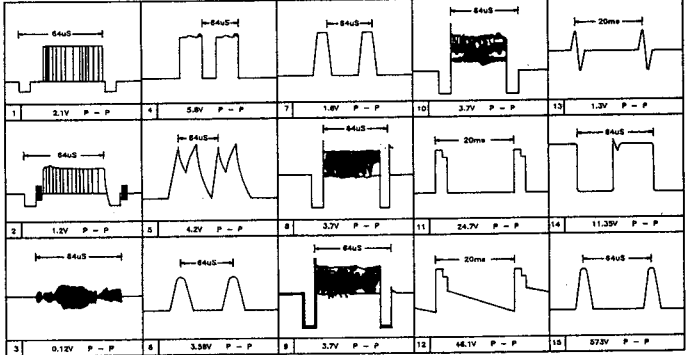
**HANDSET BOARD**



**CRT BOARD**



**WAVEFORM**



**CIRCUIT SYMBOLS**

RESISTOR	CAPACITOR
NONFLAMMABLE	ELECTROLYTIC
FUSIBLE	BI-POLAR ELECTROLYTIC
CEMENT	TANTALUM
METAL OXIDE	METALLIZED POLYESTER
THERMISTOR	POLYESTER FILM
	POLYPROPYLENE NYLAR

- NOTE:**
- (1) ALL CAPACITORS ARE IN µF UNLESS OTHERWISE NOTED.
  - (2) ALL CAPACITORS ARE 50WV UNLESS OTHERWISE NOTED.
  - (3) CAPACITOR NOT SPECIFICALLY DESIGNATED ARE CERAMIC CAPACITORS.
  - (4) ALL RESISTORS ARE IN OHM 1/16 WATT UNLESS OTHERWISE NOTED.
  - (5) RESISTOR NOT SPECIFICALLY DESIGNATED ARE CARBON FILM RESISTORS.
  - (6) DC VOLTAGE ARE MEASURED FROM POINTS INDICATED TO THE CIRCUIT GROUND WITH A DIGITAL MULTIMETER TEST.
  - (7) WAVEFORMS ARE TAKEN WITH SETTING CONTROLS TO A NORMAL CONDITIONS (COLOR PHILIPS PATTERN).
  - (8) THIS CIRCUIT DIAGRAM IS SUBJECT TO CHANGE WITHOUT PRIOR NOTICE.
  - (9) SAFETY CRITICAL DEVICE.

**KONG WAH VIDEO ENGINEERING LTD.**

TITLE: SCHEMATIC DIAGRAM

MODEL: CT-200TD (Y1)      SYSTEM: PAL SBCAM B/G D/K

DRAW NO.: 9920(BT)-01      PAGE 1 OF 1

DRAWN BY:      APPROVED: (PRADEEP SAHANI)

DATE: JUN 29, 93      REV NO: