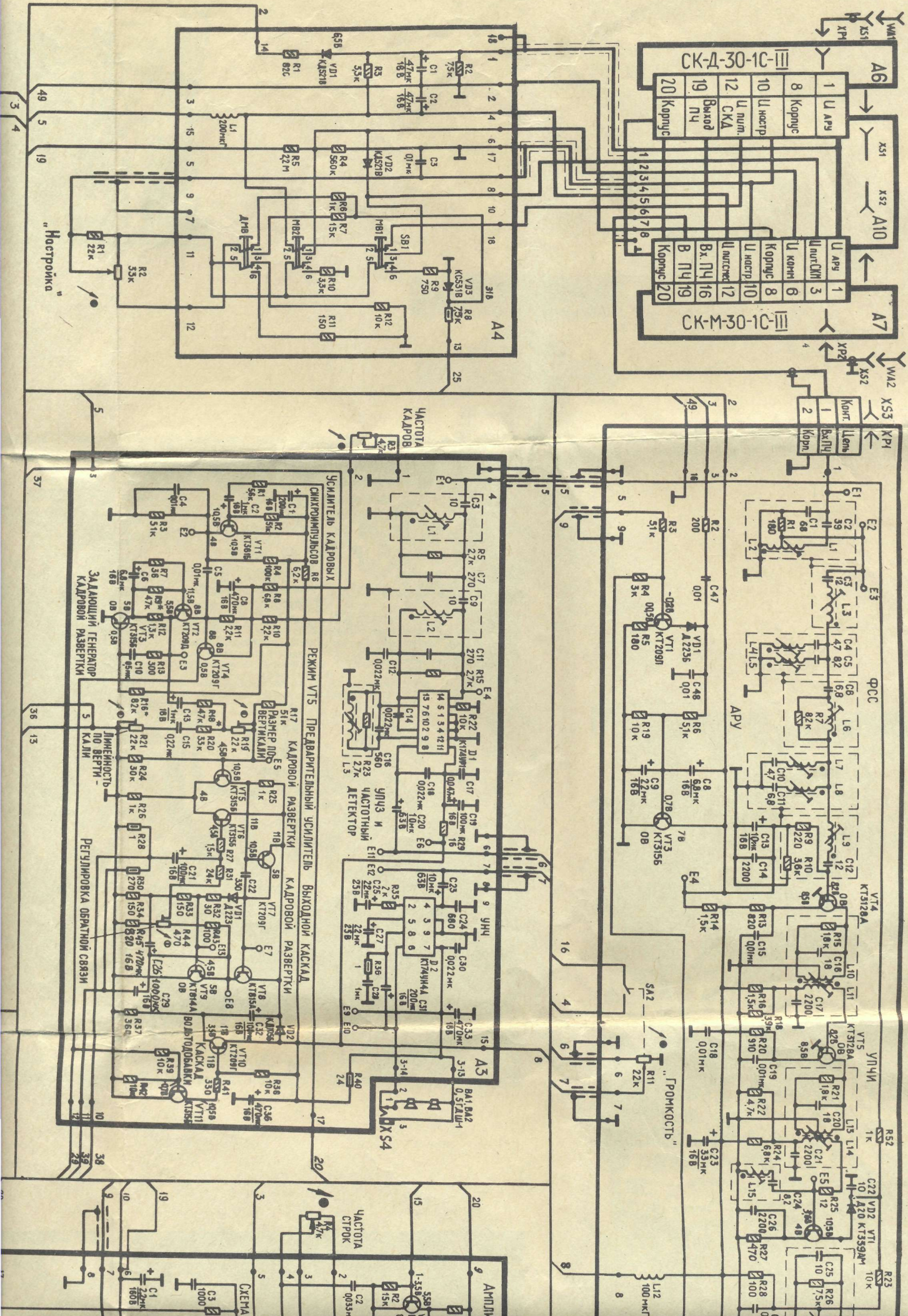
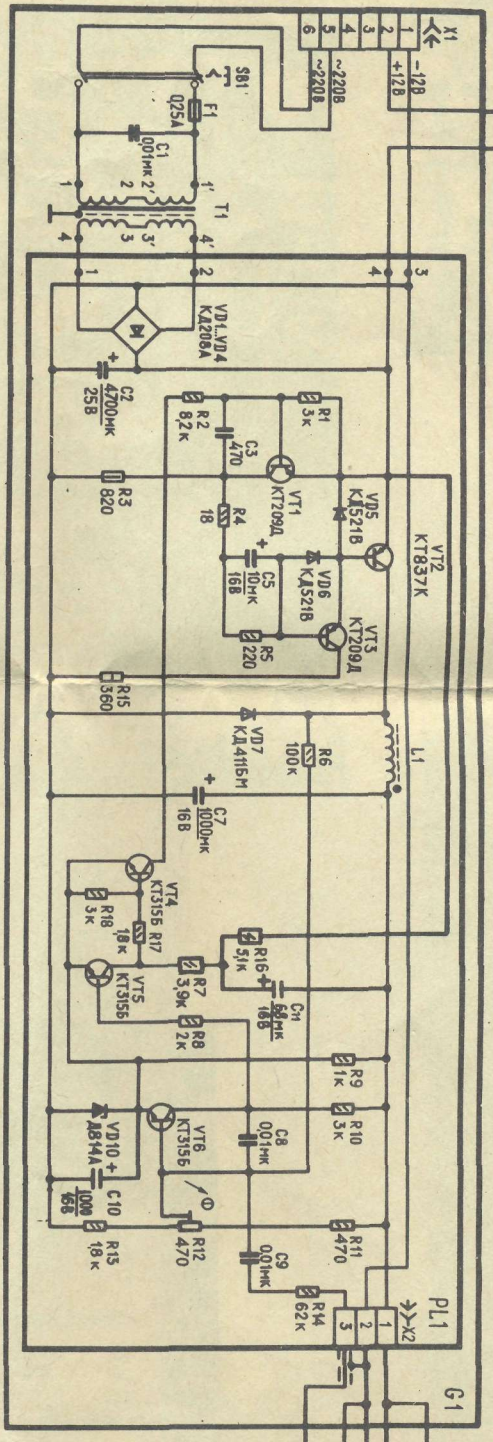
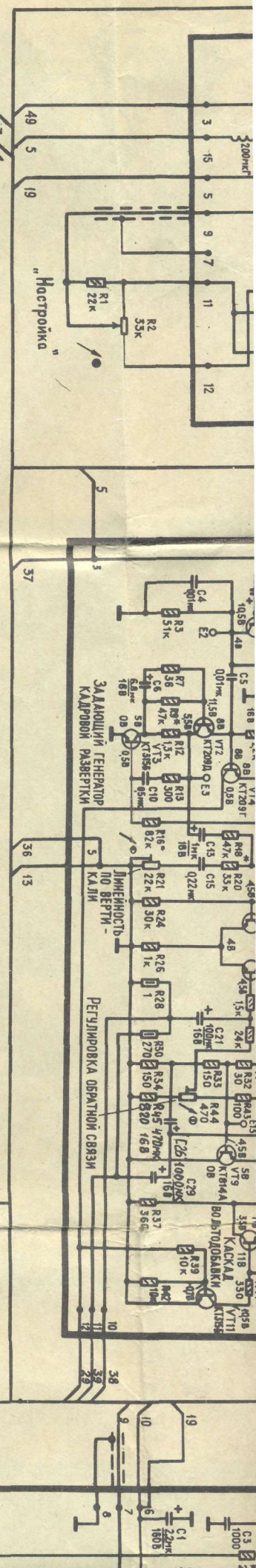


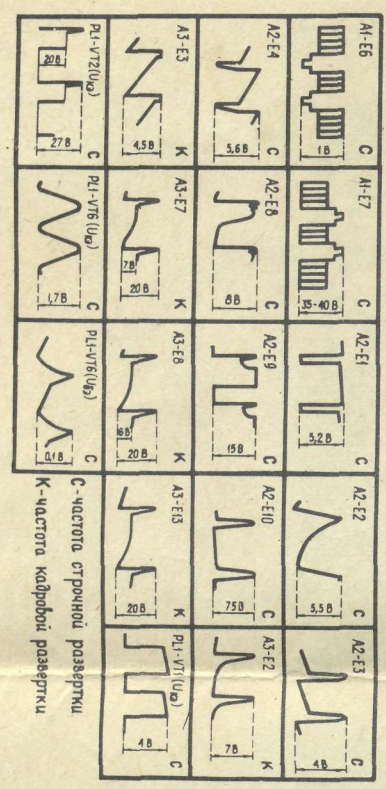
# СХЕМА ЭЛЕКТРИЧЕСКАЯ ПРИНЦИПИАЛЬНАЯ ТЕЛЕВИЗОРА







**ОЦИЛЛОГРАММЫ НАПРЯЖЕНИЙ**



**НАПРЯЖЕНИЕ НА ВЫВОДАХ МИКРОСХЕМ, В**

Выход	1	2	3	4	5	6	7	8	9	10	11	12	13	14
К1/ЭП1	0	2	0	0	3	-	3.5	7	3.5	-	10.5	0	2	2
К1/ЭП2	-	4.5	0	5.5	8	11.5	11.5	5.5	0	-	-	-	-	-

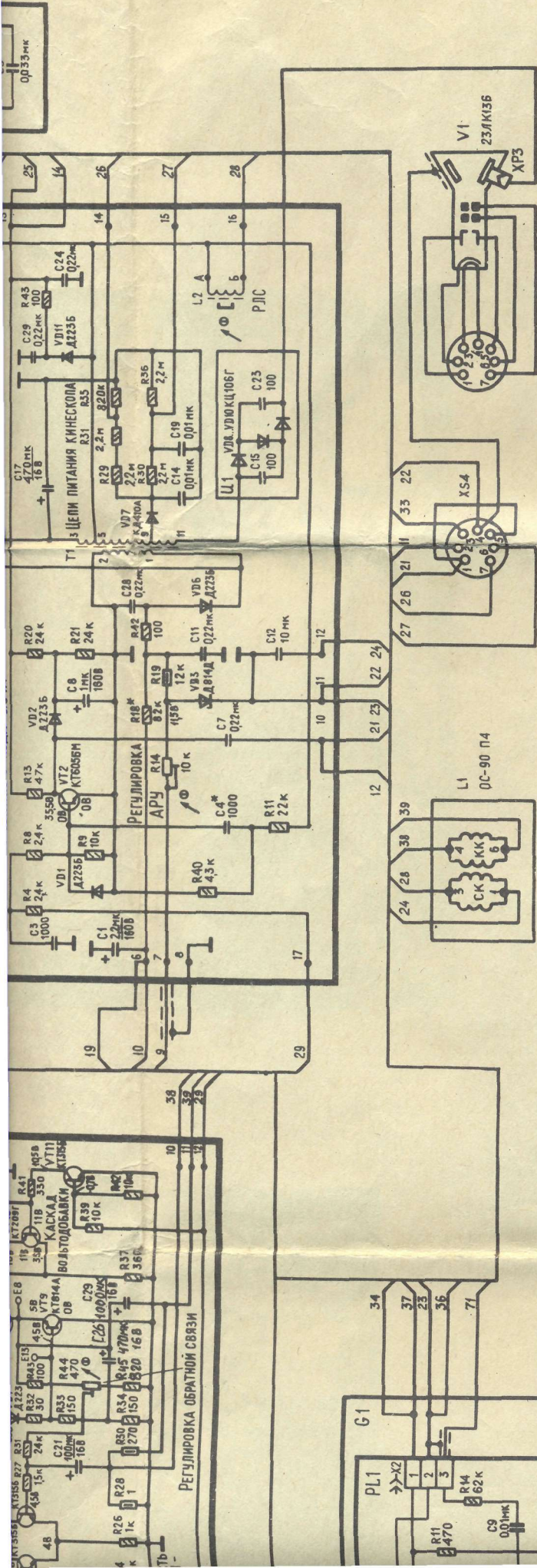
**РЕЗОНАНСНЫЕ ЧАСТОТЫ КОНТУРОВ**

Блок	L1	L2	L3	L4	L5	L6	L7	L8	L9	L10	L11	L12	L13	L14	L15	L16	L17	L18	L19	L20	
А1	36	36	36	39.5	30	37	39.5	31.5	36	35	35	35	41	33	31.5	37	6.5	5			

**ТИПЫ ПРИМЕНЕНИЯ**

К73-24	A1: C18; 42, 47, 48; A2: C2, 3, 4, 5, 6, 10; C8; A3: C20, 23, 25, 27, 31, 32
К50-6	A1: C39, 43, 50; A2: C1, 17, 26; A3: C1, C2, 3, 6, 11, 12, 16, 20, 22, 25, 28, 30, 31, 33, 3
К7-1	A1: C1, 23, 38, 40; A2: C10; A3: C1, C2, 3, 6, 11, 12, 16, 20, 22, 25, 28, 30, 31, 33, 3
К10-7B	A1: C14, 15, 17, 19, 21, 26, 27, 32, 35; A2: C18; A3: C1, C2, 3, 6, 11, 12, 16, 20, 22, 25, 28, 30, 31, 33, 3
К55-19A	A1: C8, 36, 37; A2: C18; A3: C1, C2, 3, 6, 11, 12, 16, 20, 22, 25, 28, 30, 31, 33, 3
К53-19B	A1: C9, 13, 23, 40; A2: C5; A3: C1, C2, 3, 6, 11, 12, 16, 20, 22, 25, 28, 30, 31, 33, 3
МБМ	A1: C14, 19; A2: C10; A3: C1, C2, 3, 6, 11, 12, 16, 20, 22, 25, 28, 30, 31, 33, 3
КМ-6A	A1: C41; A2: C28; A3: C1, C2, 3, 6, 11, 12, 16, 20, 22, 25, 28, 30, 31, 33, 3
КМ-45	A1: C44; A2: C16; A3: C1, C2, 3, 6, 11, 12, 16, 20, 22, 25, 28, 30, 31, 33, 3
К78-2	C1, C2; A2: C27
К10-19	A1: C4, 5, 10, 24; A2: C12
К73-16	A1: C4, 5, 10, 24; A2: C12
К50-24	PL1: C2; K73-5; A2: C7
МЛТ-0125-Р1	A1: R1, 2, 3, 4, 5, 6, 7, 9, 10, 13, 14, 15, 16, 1; A2: R2, 3, 4, 5, 6, 7, 8, 9, 10, 11, 12, 13; A3: R1, 2, 3, 4, 5, 6, 7, 8, 9, 10, 11, 12, 13, 38, 39, 41, 42, 43, 45
МЛТ-05	A4: R2, 3, 4, 6, 1, 5, 7; PL1: R1, 2, 4; A1: R4, 3; A2: R19; A3: R15
МЛТ-1	PL1: R15
СН3-38Б	A2: R14; A3: R15
СН3-40М-Р2, 3, 4	A1: R45, 47; A3: R19
СН3-42М	A1: R11





**ТИПЫ ПРИМЕНЯЕМЫХ ЭЛЕМЕНТОВ**

K73-24	A1: C18, 42, 47, 48; A2: C2, 3, 4, 5, 6, 13, 16, 20, 21, 22, 24, 13, 16, 20, 21, 22, 24, A3: C4, 5, 15, 17, 30 [PL1]: C69
K50-6	A2: C8; A3: C20, 23, 25, 27, 31, 32, [A4]: C2
K50-16	A1: C39, 43, 50; A2: C1, 17, 26; A3: C1, 8, 19, 21, 26, 29, 33, 36; A4: C1
KA-1	A1: C2, 5, 6, 11, 12, 16, 20, 22, 25, 26, 30, 31, 33, 34, 45, 46; A3: C7, 11, 24; A4: C3, 9
KM-55	A1: C129, 38, 40; A2: C10; A3: C12, 14, 18, 22
K10-7B	A1: C4, 15, 17, 19, 21, 26, 27, 32, 35; A3: C2, 6, 13
K53-19A	A1: C8, 36, 37; A2: C18; A3: C11
K53-19B	A1: C9, 13, 23, 40 [PL1]: C5
МБМ	A2: C14, 19; A3: C10; G1: C1
KM-6A	A1: C41; A3: C28
KM-45	A1: C44; A3: C16
K78-2	C1, C2 [A2]: C27
K10-19	A1: C4, 5, 10, 24
K73-16	A2: C12
K50-24	PL1: C2; K73-5; A2: C7, 9, 11, 25, 28, 29
ММТ-0,125-R1	A1: R1, 2, 3, 4, 5, 6, 7, 9, 10, 13, 14, 15, 16, 18, 19, 20, 21, 22, 23, 24, 25, 26, 27, 28, 29, 30, 31, 32, 33, 34, 35, 36, 37, 38, 39, 40, 41, 42, 44, 48, 49, 50, 51, 52
	A2: R2, 3, 4, 5, 6, 7, 8, 9, 10, 11, 12, 13, 15, 16, 17, 18, 20, 21, 22, 23, 24, 25, 26, 27, 28, 29, 30, 33, 34, 35, 36, 37, 38, 39, 40, 41, 42, 43, 51
	A3: R1, 2, 3, 4, 5, 6, 7, 8, 9, 10, 11, 12, 13, 15, 16, 17, 18, 20, 22, 23, 24, 25, 26, 27, 29, 31, 32, 33, 34, 35, 37, 38, 39, 41, 42, 43, 45
МАТ-0,5	A4: R2, 3, 4, 6, 1, 5, 7 [PL1]: R12, 4, 5, 6, 7, 8, 9, 10, 11, 13, 14, 16, 17, 18, 19; A4: R9, 10, 11, 12
МАТ-1	A1: R43; A2: R19; A3: R28, 30, 36, 40; A4: R8; PL1: R15
СПЗ-38 Б	A2: R14, 32; A3: R19, 21, 44; PL1: R12
СПЗ-40М-R2, 3, 4	A1: R45, 47
СПЗ-42М	A1: R11
АПМ-01	A1: L2; A4: L1; АПМ-04: А1: ш.ш; АПМ-01: А1: L20, 21; П2К: А4: ш.ш; П2К-А4: ш.ш; П2К-41-1: Г1: ш.ш

**ВЫВОДАХ МИКРОСХЕМ, В**

6	7	8	9	10	11	12	13	14
-	3,5	7	3,5	-	10,5	0	2	2
1,5	11,5	5,5	0	-	-	-	-	-

**АСТОТЫ КОНТУРОВ**

L9	L10	L11	L12	L13	L14	L15	L16	L17	L18	L1	L2
36	35	35	41	33	31,5	37	6,5	6,5	6,5	6,5	6,5

**РАСПОЛОЖЕНИЕ ВЫВОДОВ ТРАНЗИСТОРОВ И МИКРОСХЕМ**

КТ3128А	КТ601А	КТ315АБВ	КТ74УР1	КТ805АН
Р-П-П	Р-П-П	П-П-П	14	П-П-П
3	3	3	3	3
1	1	1	1	1
2	2	2	2	2
4	4	4	4	4
5	5	5	5	5
6	6	6	6	6
7	7	7	7	7
8	8	8	8	8
9	9	9	9	9
10	10	10	10	10
11	11	11	11	11
12	12	12	12	12
13	13	13	13	13
14	14	14	14	14
15	15	15	15	15
16	16	16	16	16
17	17	17	17	17
18	18	18	18	18
19	19	19	19	19
20	20	20	20	20
21	21	21	21	21
22	22	22	22	22
23	23	23	23	23
24	24	24	24	24
25	25	25	25	25
26	26	26	26	26
27	27	27	27	27
28	28	28	28	28
29	29	29	29	29
30	30	30	30	30
31	31	31	31	31
32	32	32	32	32
33	33	33	33	33
34	34	34	34	34
35	35	35	35	35
36	36	36	36	36
37	37	37	37	37
38	38	38	38	38
39	39	39	39	39
40	40	40	40	40
41	41	41	41	41
42	42	42	42	42
43	43	43	43	43
44	44	44	44	44
45	45	45	45	45
46	46	46	46	46
47	47	47	47	47
48	48	48	48	48
49	49	49	49	49
50	50	50	50	50
51	51	51	51	51
52	52	52	52	52
53	53	53	53	53
54	54	54	54	54
55	55	55	55	55
56	56	56	56	56
57	57	57	57	57
58	58	58	58	58
59	59	59	59	59
60	60	60	60	60
61	61	61	61	61
62	62	62	62	62
63	63	63	63	63
64	64	64	64	64
65	65	65	65	65
66	66	66	66	66
67	67	67	67	67
68	68	68	68	68
69	69	69	69	69
70	70	70	70	70
71	71	71	71	71
72	72	72	72	72
73	73	73	73	73
74	74	74	74	74
75	75	75	75	75
76	76	76	76	76
77	77	77	77	77
78	78	78	78	78
79	79	79	79	79
80	80	80	80	80
81	81	81	81	81
82	82	82	82	82
83	83	83	83	83
84	84	84	84	84
85	85	85	85	85
86	86	86	86	86
87	87	87	87	87
88	88	88	88	88
89	89	89	89	89
90	90	90	90	90
91	91	91	91	91
92	92	92	92	92
93	93	93	93	93
94	94	94	94	94
95	95	95	95	95
96	96	96	96	96
97	97	97	97	97
98	98	98	98	98
99	99	99	99	99
100	100	100	100	100

- \* Подбирают при регулировке
- \*\* Устанавливают при необходимости
- Основные органы управления, выведенные наружу
- Ручки под шлиц
- вспомогательные органы управления
- Электрические режимы по постоянному току на pin44 измерены без сигнала
- Допускаются изменения в схеме, не ухудшающие параметры телевизора
- Положение переключателя А4-SB1 - отжато
- Напряжение в т.1,59 СК-П-30С в режиме МВ + 105В, в режиме ДМВ - 0В



2376-307 Д

# ЦИПИАЛЬНАЯ ТЕЛЕВИЗОРА «ЭЛЕКТРОНИКА 404/404Д»

